



CI 481 612

Stainless steel frame
Width 30" (80 cm)

Optional accessories

GP 900 001

Stainless steel frying pan
Non-stick coating, for ø 6" cooking zone.

GP 900 003

Stainless steel frying pan
Non-stick coating, for ø 8" cooking zone.



Industrie
Forum
Design
Hannover

Induction cooktop

CI 481

- Stainless steel frame
- Frying sensor function
- Twist-Pad control with removable magnetic knob

Cooking zones

- 1 induction cooking zone ø 11" (2,400 W, with Power boost 3,600 W).
- 1 induction cooking zone ø 8" (2,200 W, with Power boost 3,300 W).
- 2 induction cooking zone ø 6" (1,400 W, with Power boost 1,800 W).

Features

- Twist-Pad control with removable magnetic knob.
- Cooking zone marking.
- Electronic power control in 17 output levels.
- Frying sensor function for ø 6" and ø 8" cooking zones.
- Power boost function for each cooking zone.
- Quick boil timer, with individually adjustable boiling time.
- Cooking timer for each zone for up to 90 minutes with automatic shut off.
- Short-term timer.
- Memory function.
- Options menu.
- Power management.

Safety

- Main switch.
- Operation indication.
- Pan detection.
- Individual residual heat indication.
- Child lock.
- Safety lock.

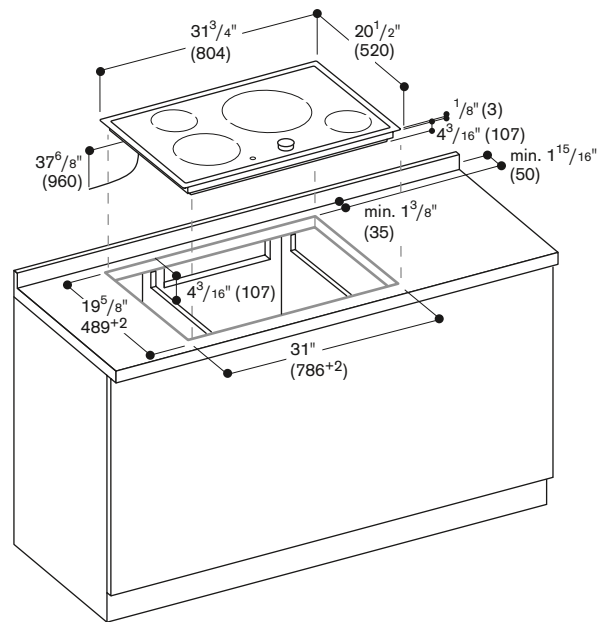
Planning notes

- Operates with magnetic (induction) ready pots and pans only.
- For optimal heat distribution, the use of sandwich bottom cookware is recommended.
- Doesn't operate without Twist-Pad knob.
- Immersion depth 2 ¼".
- Intermediate shelf is recommended.
- Appliance must be fixed from underneath.
- Hard wire required.
- Cooktop clamping range: 1 ¾" – 1 ¼".

Please read the installation details regarding air ducting on page 121.

Rating

- Total rating: 7.2 kW.
- Total Amps: 30 A.
- 208/220–240 V / 60 Hz
- Plan for a 60" connection cable without plug (hardwire required).



Immersion depth in the area of electric connection casing 4 ¾" (107)

Numbers indicated
inside parenthesis () = mm