



CI 282 610

Width 30" (80 cm)

**Included accessories**

CA 060 600

Cooking sensor for temperature regulation within pots.

For flex induction cooktop.

**Optional accessories**

CA 230 100

Black magnetic twist control knob  
For flex induction cooktop.

CA 051 300

Teppan Yaki made of multi ply material  
For flex induction cooktop.

GP 900 001

Stainless steel frying sensor pan  
Non-stick coating, for ø 6" cooking zone.

GP 900 002

Stainless steel frying sensor pan  
Non-stick coating, for ø 7" cooking zone.

GP 900 003

Stainless steel frying sensor pan  
Non-stick coating, for ø 8" cooking zone.

GP 900 004

Stainless steel frying sensor pan  
Non-stick coating, for ø 11" cooking zone.

**Flex induction cooktop**

CI 282

- Sturdy stainless steel frame
- Flex function for combining the rectangular cooking areas
- Free positioning of cookware inside combined cooking areas
- Cooking sensor function for temperature control in pots
- Frying sensor function for temperature control in pans
- Twist-Pad control—the maneuverable magnetic knob sets cooking zone and temperature
- Easy control of all functions with bi-colored display

**Cooking zones**

2 flex induction cooking areas 7 1/2" x 9" (2,200 W, with Booster 3,600 W), linked together 15" x 9" (3,300 W, with Booster 3,600 W).

1 induction cooking zone ø 11" (2,600 W, with Booster 3,700 W).

1 induction cooking zone ø 6" (1,400 W, with Booster 2,200 W).

**Operation**

Twist-Pad control with removable magnetic knob.  
User friendly control with bi-colored display (white / orange).  
Cooking zone, and cooking area marking.  
Electronic power control in 17 output levels.

**Features**

Flex function for rectangular cooking areas.  
Cooking sensor function (in use with cooking sensor CA060 600).  
Frying sensor function.  
Booster function for pots.  
Booster function for pans.  
Keep warm function.  
Stopwatch.  
Cooking timer for up to 99 minutes.  
Short-term timer.  
Memory function.  
Options menu.  
Power management.

**Safety**

Main switch.  
Operation indication.  
Pan detection.  
2-stage residual heat indication.  
Child lock.  
Safety shut-off.

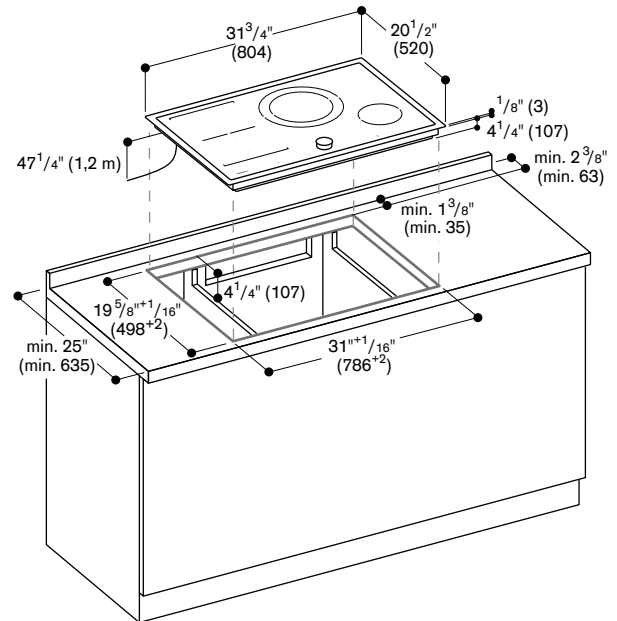
**Planning notes**

Operates with magnetic (induction) iron pots and pans only. For an optimal heat distribution, the use of sandwich bottom cookware is recommended. The wok pan WP 400 001 cannot be used with this appliance.  
Immersion depth depending on installation situation, 2 5/8" for surface-mount or 2 3/4" for flush-mount. Intermediate shelf is recommended.  
Appliance must be fixed from underneath.  
Cooktop clamping range: 1 3/16" – 1 9/16".  
Appliance weight: approx. 33 lbs.

Please read additional planning notes on page 127.

**Rating**

Total rating: 7.2 kW  
Total Amps: 30 A.  
208/220–240 V / 60 Hz  
Connecting cable 37" without plug (hardwire required).



Numbers indicated inside parenthesis ( ) = mm