



CE 490 612
Stainless steel frame
Width 36" (90 cm)

Included accessory
1 glass scraper

Electric cooktop
CE 490

- Sturdy stainless steel frame
- Twist-Pad control with removable magnetic knob
- Can be perfectly combined with the 36" AL 400 retractable downdraft in a standard 24" counter-top depth.

Cooking zones

1 Super-Quick cooking zone \varnothing 7" (1,500 W), converts to \varnothing 9" (2,400 W) cooking zone.
1 Super-Quick cooking zone \varnothing 4 3/4" (800 W), converts to \varnothing 7" (2,000 W) cooking zone.
2 Super-Quick cooking zones \varnothing 5 3/4" (1,200 W).

Features

Twist-Pad control with removable magnetic knob.
Cooking zone marking.
Electronic power control in 17 output levels.
Quick boil timer, with individually adjustable boiling time.
Cooking timer for each zone for up to 90 minutes with automatic shut off.
Short-term timer.
Memory function.
Options menu.

Safety

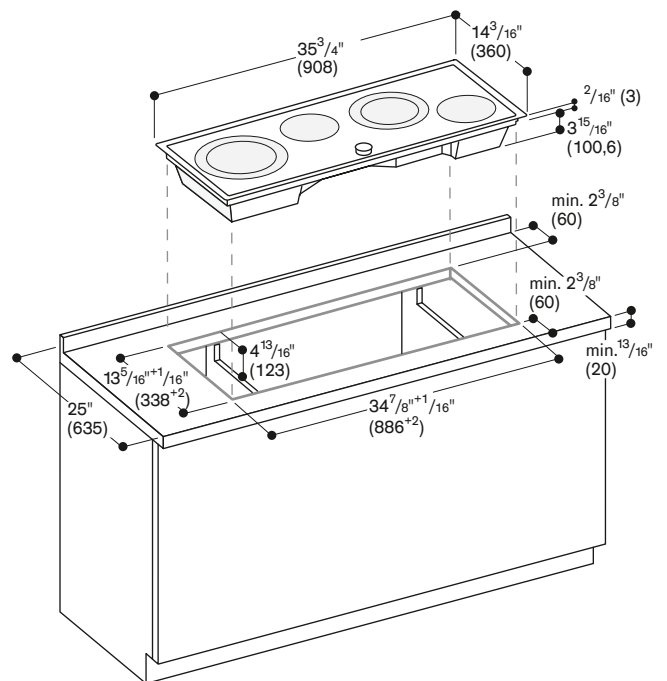
Main switch.
Operation indication.
Individual residual heat indication.
Child lock.
Safety lock.

Planning notes

Appliance depth 1 3/4", depth at fitting/conduit is 2 3/8".
Below the appliance, a 3/8" clearance must be observed from side panels or intermediate shelf must be planned.
The cooktop must be accessible from underneath to be able to detach the cooktop's base in a downward direction.
Installation possible in a 24" deep standard cabinet.
Appliance must be fixed from underneath.
Hard wire required.
Cooktop clamping range: 13/16" - 1 15/16".

Rating

Total rating: 6.8 kW
Total Amps: 28
220 - 240 V / 60Hz
Plan for a 38" connecting cable without plug (hardwire required).



Immersion depth in the area of electric connection casing 4 13/16" (123)

Numbers indicated
inside parenthesis () = mm