



CE 490 612

Stainless steel frame
Width 36" (90 cm)

Included accessory

1 glass scraper

Electric cooktop

CE 490

- Sturdy stainless steel frame
- Twist-Pad control with removable magnetic knob
- Can be perfectly combined with the 36" AL 400 retractable downdraft in a standard 24" counter-top depth

Cooking zones

1 Super-Quick cooking zone \varnothing 7" (1,500 W), converts to \varnothing 9" (2,400 W) cooking zone.

1 Super-Quick cooking zone \varnothing 4 3/4" (800 W), converts to \varnothing 7" (2,000 W) cooking zone.

2 Super-Quick cooking zones \varnothing 5 3/4" (1,200 W).

Features

- Twist-Pad control with removable magnetic knob.
- Cooking zone marking.
- Electronic power control in 17 output levels.
- Quick boil timer, with individually adjustable boiling time.
- Cooking timer for each zone for up to 90 minutes with automatic shut off.
- Short-term timer.
- Memory function.
- Options menu.

Safety

- Main switch.
- Operation indication.
- Individual residual heat indication.
- Child lock.
- Safety lock.

Planning notes

Appliance depth 1 3/4", depth at fitting/conduit is 2 3/8".

Below the appliance, a 3/8" clearance must be observed from side panels or intermediate shelf must be planned.

The cooktop must be accessible from underneath to be able to detach the cooktop's base in a downward direction.

Installation possible in a 24" deep standard cabinet.

Appliance must be fixed from underneath.

Hard wire required.

Cooktop clamping range:

1 3/16" - 1 15/16".

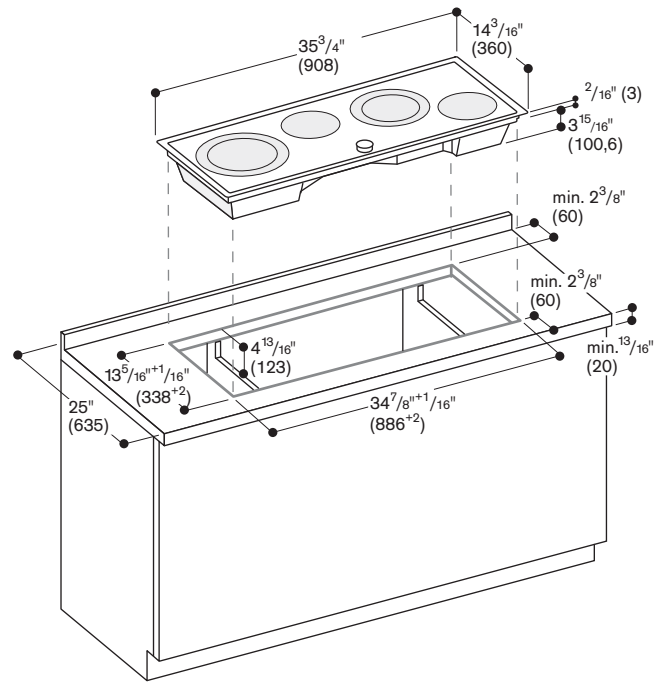
Rating

Total rating: 6.8 kW.

Total Amps: 28 A.

220-240 V / 60 Hz

Plan for a 38" connecting cable without plug (hardwire required).



Immersion depth in the area of electric connection casing 4 13/16" (123)

Numbers indicated inside parenthesis () = mm

Numbers indicated inside parenthesis () = mm