



Controls on top

Right-hinged

BSP 250 610

Full glass door in Gaggenau Metallic
Width 24" (60 cm)

Left-hinged

BSP 251 610

Full glass door in Gaggenau Metallic
Width 24" (60 cm)

Included accessories

- 1 Gastronorm pan, unperforated stainless steel, GN 2/3 full tray size
- 1 Gastronorm pan, perforated stainless steel, GN 2/3 full tray size
- 1 wire rack
- 1 meat probe

Optional accessories

GN 114 130

Gastronorm insert, stainless steel
1 1/2" deep, GN 1/3, half tray size
Unperforated, 1.5 qt.

GN 114 230

Gastronorm insert, stainless steel
1 1/2" deep, GN 2/3, full tray size
Unperforated, 3 qt.

GN 124 130

Gastronorm insert, stainless steel
1 1/2" deep, GN 1/3, half tray size.
Perforated, 1.5 qt.

GN 124 230

Gastronorm insert, stainless steel
1 1/2" deep, GN 2/3, full tray size
Perforated, 3 qt.

GN 340 230

Gastronorm roaster in cast aluminum.
GN 2/3, height 4", with 2 1/2" lid
non-stick.

GR 220 046

Wire rack
Chromium-plated
Without opening, with feet.

200 series Combi-steam oven

BSP 250/BSP 251

- Flush installation
- Water tank
- Convection from 85°F – 450°F at variable humidity levels of 0%, 30%, 60%, 80% or 100%
- TFT touch display
- Steaming without pressure
- Electronic temperature control from 85°F – 450°F
- Removable meat probe
- Net volume 1.7 cu.ft.

Cooking modes

Convection + 100 % humidity.
Convection + 80 % humidity.
Convection + 60 % humidity.
Convection + 30 % humidity.
Convection + 0 % humidity.
Dough proofing.
Defrosting.
Refreshing.
Low temperature cooking.

Operation

Rotary knob and TFT touch display operation.
Clear text display in 25 languages.
Option to save individual recipes (incl. meat probe).
Information key with use indicators.
Side-opening door opens up to 110° angle.

Features

Removable 44 oz (1.3 liter) water tank.
Water level warning.
Meat probe with automatic shut-off function.
Actual temperature display.
Timer functions: cooking time, shut-off time, timer, stopwatch, long-term timer (Sabbath mode).
Automatic boiling point detection.
48 W halogen light on the side.
Hygienic stainless steel cooking interior.
Four rack levels.

Safety

Child lock.
Safety lock.
Cooled housing with temperature protection.

Cleaning

Cleaning program.
Drying program.
Descaling program.
Grease filter, dishwasher-safe.

Planning notes

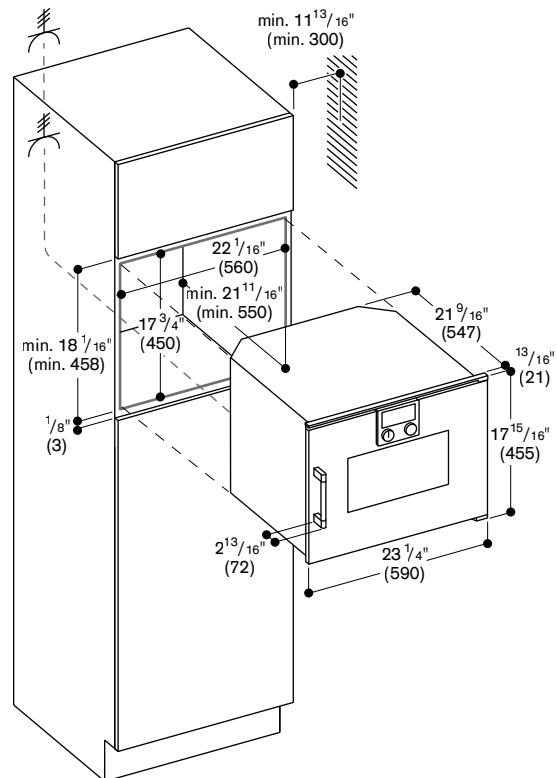
Door hinge not reversible.
No other electrical appliances should be installed above the BSP Combi-steam oven.
The door panel surface of the appliance extends 1 3/16" from the cabinet front.
The outer edge of the door handle extends 2 13/16" from the cabinet front.
Consider the overhang, including the door handle, when planning to open drawers next to the appliance.
When planning a corner solution, pay attention to the 110° door opening angle.
Plan a gap of at least 3/16" between the appliance door and adjacent cabinets.
To achieve the 21 5/8" installation depth, the connecting cable needs to

follow the slanted edge on the corner of the housing.
The power outlet needs to be planned outside of the cut-out.

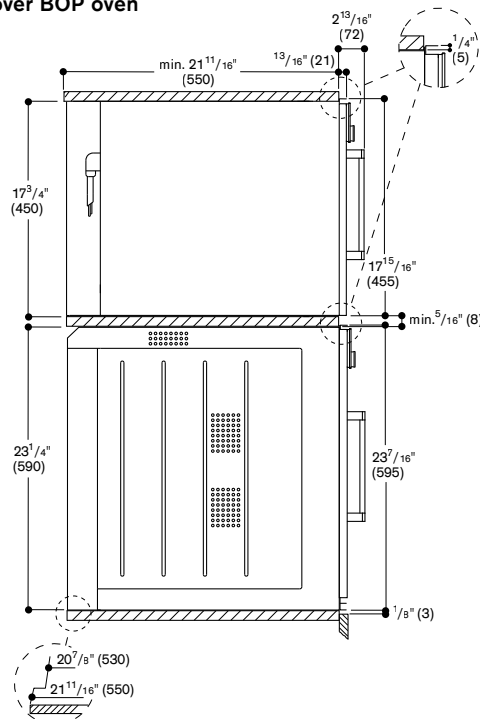
Please read additional planning notes on pages 62 – 63.

Rating

Total rating: 2.2 kW.
Total Amps: 10 A
208/220–240 V/60 Hz
Plan for a 4' long connecting cable without plug (hardwire required).



Side view BSP Combi-steam oven, BMP Combi-microwave oven over BOP oven



Numbers indicated inside parenthesis () = mm

www.gaggenau.com/us
Revised: 08 June 2020

