



Controls on top

Right-hinged

BOP 250 611

Full glass door in Gaggenau Metallic
Width 24" (60 cm)

Left-hinged

BOP 251 611

Full glass door in Gaggenau Metallic
Width 24" (60 cm)

Included accessories

- 1 baking tray, pyrolytic-safe enamel
- 1 glass tray
- 1 wire rack
- 1 meat probe

Optional accessories

BA 016 165

Pull-out system
Enameled cast-iron frame and fully extendable telescopic rails.

BA 026 115

Baking tray, enameled
1" deep.

BA 036 165

Wire rack, chromium-plated
Offset rack, no opening, with feet.

BA 046 115

Glass tray
1" deep.

BA 056 115

Heating element
Necessary accessory for baking stone and cast-iron roaster.

BA 056 133

Baking stone.
With support and pizza peel (heating element must be ordered separately).

BA 226 105

Broiling pan, enameled
1" deep.

BS 020 002

Pizza peel, additional set of 2.

GN 340 230

Gastronorm roaster
Non-stick cast aluminum.
4" deep, with 2 1/2" lid, GN 2/3.

200 series single oven

BOP 250/BOP 251

- Flush installation
- Pyrolytic self-cleaning system
- Universal heating system with 13 heating modes, with meat probe and baking stone operation
- TFT touch display
- Electronic precision temperature control from 85°F–550°F
- Net volume 3.1 cu.ft.

Cooking modes

Convection.
Economy convection.
Top + bottom heat.
Top heat.
Bottom heat.
Convection + bottom heat.
Convection broiling.
Broiling.
Economy broiling.
Baking stone operation.
Roaster operation.
Dough proofing.
Defrosting.

Operation

Rotary knob and TFT touch display operation.
Clear text display in 25 languages.
Option to save 50 individual recipes (incl. meat probe).
Information key with use indicators.
Side-opening door opens up to 110° angle.

Features

Meat probe with automatic shut-off.
Baking stone outlet.
Actual temperature display.
Super-quick preheating.
Timer functions: cooking time, shut-off time, short-term timer, stopwatch, Sabbath mode.
60 W halogen light on top.
Enameled side rack supports with 4 rack levels, pyrolytic-safe.

Safety

Thermally insulated door with quintuple glazing.
Child lock.
Safety lock.
Cooled housing with temperature protection.

Cleaning

Pyrolytic self-cleaning.
Gaggenau clean-enamel.
Heated air cleaning catalyst.

Planning notes

Door hinge not reversible.
The door panel front of the appliance extends 13/16" from the cabinet front.
The outer edge of the door handle extends 2 13/16" from the cabinet front.
Necessary lateral gap between appliance door and cabinet front of min. 3/16".
Consider the overhang, including the door handle, when planning to open drawers next to the appliance.
When planning a corner solution, pay attention to the 110° door opening angle.
For installation below cooktops:
Distance between the underside of the cooktop and the top edge of the oven cavity: min. 9/16".
The planning notes for the cooktops

(particularly regarding ventilation, gas/electric connection) must be taken into account.

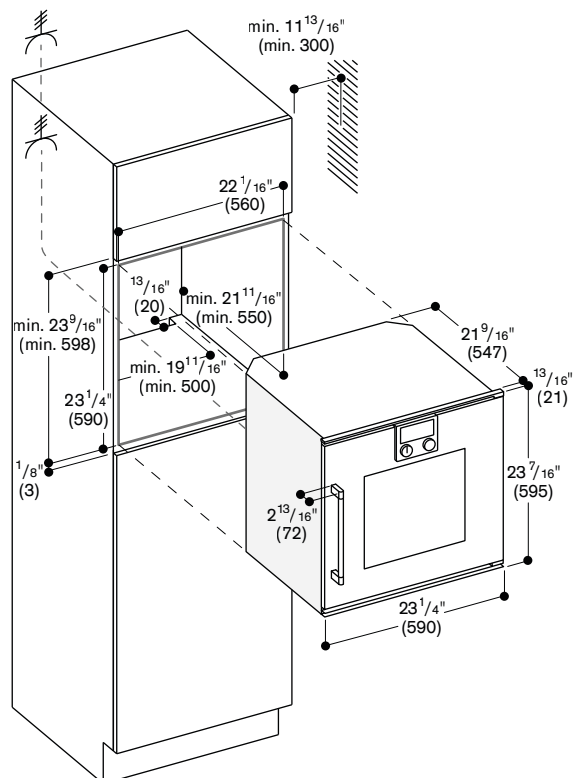
To achieve the 2 13/16" installation depth, the connecting cable needs to follow the slanted edge on the corner of the housing.

The plug needs to be planned outside of the cut-out niche.

Please read the installation details regarding air openings for 200 series.

Rating

Total rating: 4.03 kW.
Total Amps: 17 A.
208/220–240 V/60 Hz
Plan for a 3.5' connecting cable (hardwire required).



Numbers indicated
inside parenthesis () = mm