



Controls at the bottom

Right-hinged

BM 484 710

Stainless steel-backed full glass door
Width 30" (76 cm)

Left-hinged

BM 485 710

Stainless steel-backed full glass door
Width 30" (76 cm)

Included accessories

- 1 wire rack
- 1 glass tray

Installation accessories

BA 478 310

Optional handle, stainless steel
Length: 7 1/8".

400 series speed microwave oven
BM 484/BM 485

- Handleless door/automatic door opening
- Single operation and combination of microwave, grill and oven
- Sequential operation of up to five modes including programming of combined operation and rest time
- TFT touch display
- Centralized controls for easy use and intuitive operation
- Net volume 1.3 cu.ft.

Cooking modes and programs

Microwave operation with 5 output levels: 1000, 600, 360, 180, 90 Watts.
Oven operation with 4 heating modes:

- Convection at 100°F from 210°F - 480°F.
- Broil + convection from 210°F - 480°F.
- Broil + circulated air 210°F - 480°F.
- Broil with 3 levels of intensity, maximum output of 2000 W.

Heating modes with microwave output levels 600, 360, 180 and 90 Watts, freely combinable.

15 automatic programs with weight indication, fully customizable:

- 4 defrosting programs.
- 4 cooking programs.
- 7 combination programs.

Option to save individual recipes.

Sabbath mode with constant temperature of 185°F.

Operation

Automatic door opening.
Rotary knobs and TFT touch display operation.
Clear text display in 25 languages.
Information key with use indicators.
Side-opening door opens up to 180° angle.

Features

Innowave.
Fast heating setting.
4 tray levels.
Actual temperature display.
60 W halogen light on the side.

Safety

Thermally insulated door with triple glazing.
Triple door lock.
Child lock.
Safety shut-off.
Cooled housing with temperature protection.

Cleaning

Hygienic stainless steel interior with glass ceramic base.
Interior back wall with catalytic coating.

Planning notes

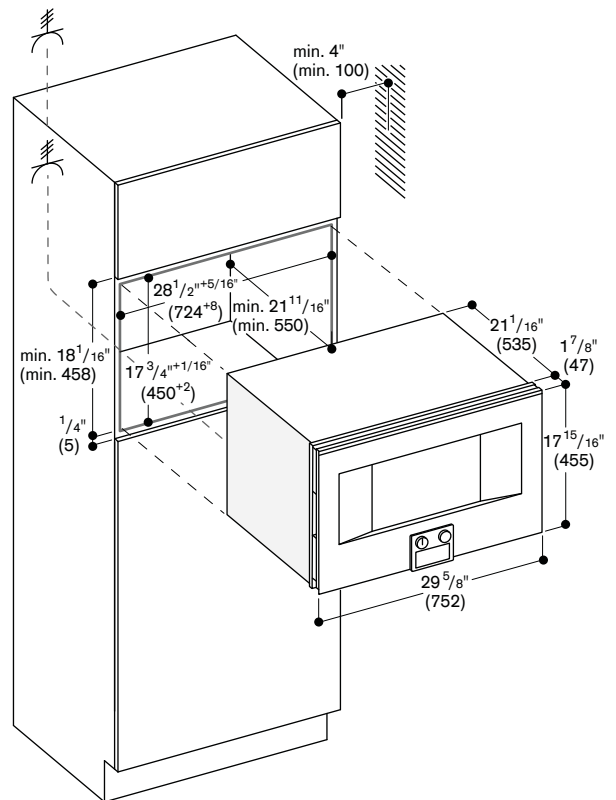
Door hinge not reversible.
Plan the cut-out niche without back wall.
The front of the appliance extends 1 7/8" from the cabinet front.
If the handle (optional accessory) is installed, the outer edge of the door handle extends 3 11/16" from the cabinet front.
Consider the overhang, incl. the door handle where applicable, when planning to open drawers next to the appliance.

When planning a corner solution, pay attention to the 110° door opening angle.
The electrical outlet needs to be planned outside of the cut-out niche.

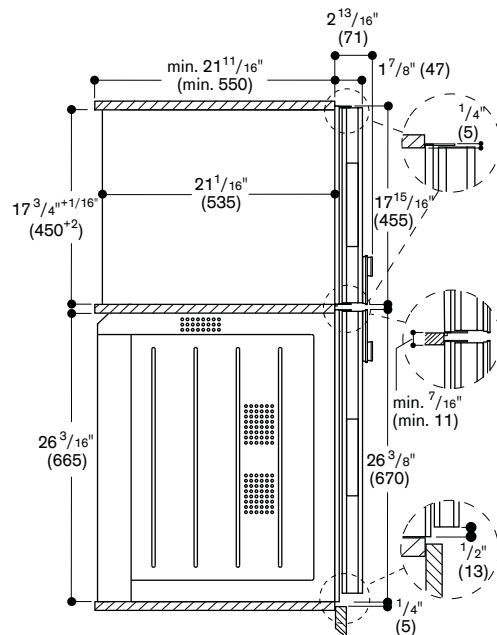
Please read the installation details regarding air openings on pages 12 - 13.

Rating

Total rating 3.1 kW.
Total Amps: 2x 20 A.
208/240 V / 60 Hz.
Plan for a 71" connection cable without a plug (hardwire required).



Side view of BM 484/485 over BO oven



Numbers indicated inside parenthesis () = mm