



**Controls on top**

**Right-hinged**

**BM 450 710**

Stainless steel-backed full glass door  
Width 24" (60 cm)

**Left-hinged**

**BM 451 710**

Stainless steel-backed full glass door  
Width 24" (60 cm)

**Included accessories**

- 1 wire rack
- 1 glass tray

**Installation accessories**

**BA 476 310**

Optional handle, stainless steel  
Length: 17 5/8".

**400 series speed microwave oven**  
**BM 450/BM 451**

- Handleless door/automatic door opening
- Single operation and combination of microwave, grill and oven
- Sequential operation of up to five modes including programming of combined operation and rest time
- TFT touch display
- Centralized controls for easy use and intuitive operation
- Net volume 1.3 cu.ft.

**Cooking modes and programs**

Microwave operation with 5 output levels: 1000, 600, 360, 180, 90 Watts. Oven operation with 4 heating modes:

- Convection at 100°F from 210°F – 480°F.
- Broil + convection from 210°F – 480°F.
- Broil + circulated air 210°F – 480°F.
- Broil with 3 levels of intensity, maximum output of 2000 W.

Heating modes with microwave output levels 600, 360, 180 and 90 Watts, freely combinable.

15 automatic programs with weight indication, fully customizable:

- 4 defrosting programs.
  - 4 cooking programs.
  - 7 combination programs.
- Option to save individual recipes. Sabbath mode with constant temperature of 185°F.

**Operation**

Automatic door opening.  
Rotary knobs and TFT touch display operation.  
Clear text display in 25 languages.  
Information key with use indicators.  
Side-opening door opens up to 180° angle.

**Features**

Innowave.  
Fast heating setting.  
4 tray levels.  
Actual temperature display.  
60 W halogen light on the side.

**Safety**

Thermally insulated door with triple glazing.  
Triple door lock.  
Child lock.  
Safety shut-off.  
Cooled housing with temperature protection.

**Cleaning**

Hygienic stainless steel interior with glass ceramic base.  
Interior back wall with catalytic coating.

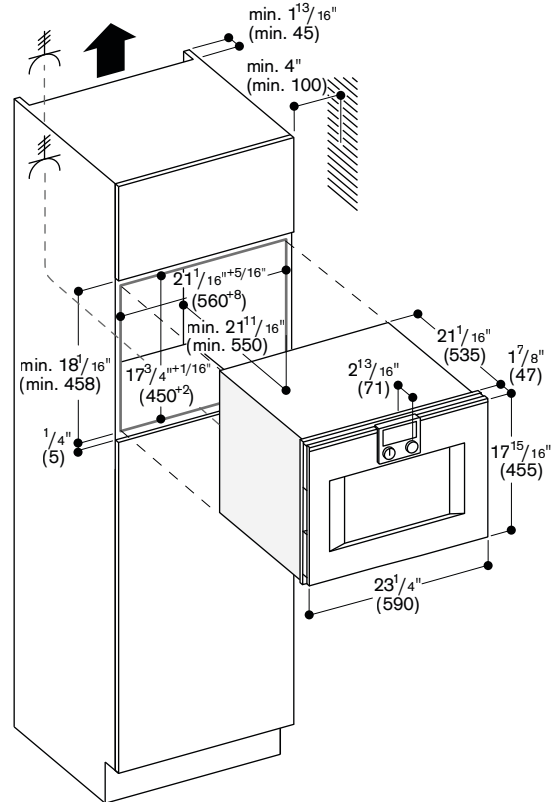
**Planning notes**

Door hinge not reversible.  
Plan the cut-out niche without back wall.  
The front of the appliance extends 1 5/8" from the cabinet front.  
If the handle (optional accessory) is installed, the outer edge of the door handle extends 3 13/16" from the cabinet front.  
Consider the overhang, incl. the door handle where applicable, when planning to open drawers next to the appliance.  
When planning a corner solution, pay attention to the 110° door opening angle.  
The electrical outlet needs to be planned outside of the cut-out niche.

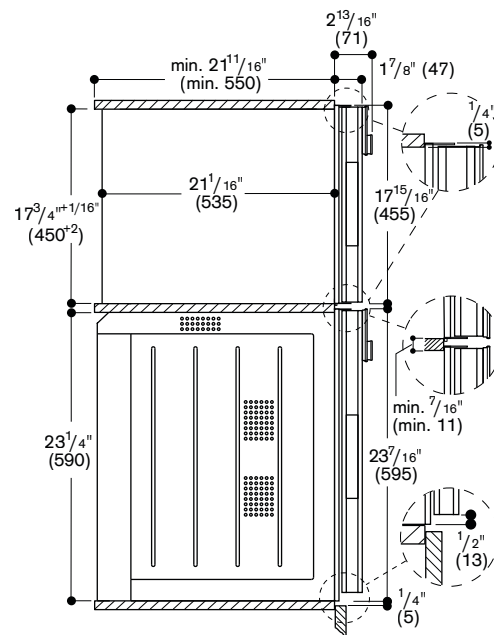
Please read the installation details regarding air openings on pages 6–7.

**Rating**

Total rating 3.1 kW.  
Total Amps: 2x 20 A.  
208/240 V / 60 Hz.  
Plan for a 71" connection cable without a plug (hardwire required).



**Side view of BM 450/451 over BO oven**



Numbers indicated inside parenthesis ( ) = mm