



**Built-in convection microwave oven
BM 281**

- Convection cooking gives the convenience of an additional oven
- Maximum convection cooking power up to 1,400 Watts and microwave power up to 1,000 Watts
- Various programs, auto reheat and convection cooking programs
- Net volume 1.5 cu.ft.

BM 281 711

Left-hinged
Stainless steel

Installation accessories

BA 268 811

Built-in trim kit
Stainless Steel
For installation over
30" 400 series oven.

*Discontinues as of March 2016

Oven interior dimensions:
W 16 3/4" x H 9 1/2" x D 16 13/16"
(412 x 242 x 426 mm).

Appliance dimensions:
W 23 7/8" x H 14 13/16" x D 19 5/16" (606
x 376 x 491 mm).

Features

Digital function display.
Touch control panel.
15" recessed ceramic turntable.
Adjustable cooking time up to
99 minutes.
Ability to adjust cooking time
during countdown.
Innowave—variable energy output.
Max. microwave output power
1,000 Watts.
10 power levels.
Max. convection cooking power 1,400
Watts.
9 auto cooking programs.
2 auto convection cooking programs.
1 auto reheat program.
1 popcorn sensor cooking.
1 quick defrost program.
Delay start.
Kitchen timer.
20 W interior light.
Side-opening door with panoramic
window, left-hinged.

Safety

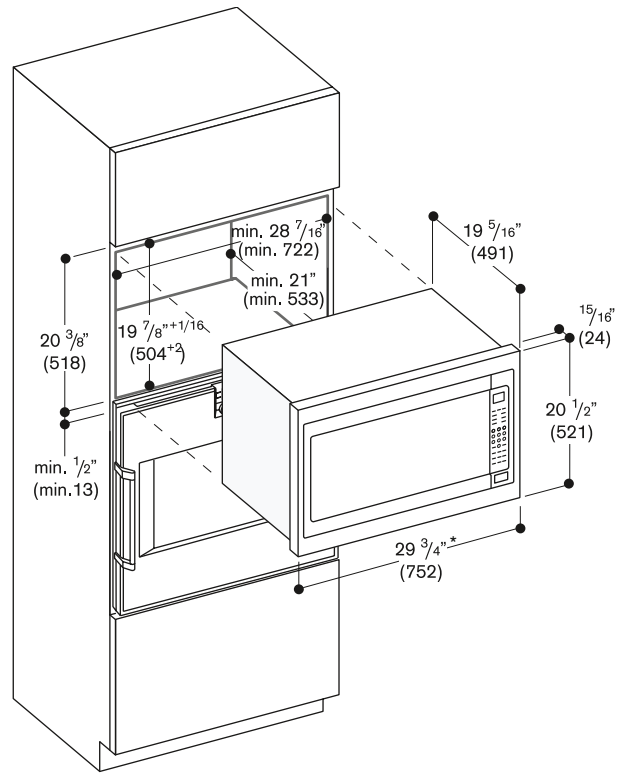
Child lock.
Push release door opening system.
Triple door lock.

Planning notes

Door hinge not reversible.
Minimum installation height 36 1/16".

Rating

Total rating: 1.56 kW.
Total Amps: 18 A.
Connecting cable 3.4' with grounding
plug.



* Total width and height with built-in trim kit.