



**BM 281 710**

Left-hinged  
Stainless steel

**Installation accessories**

**BA 268 810**

Built-in trim kit  
Stainless Steel  
For installation over  
30" 400 series oven.

**Built-in microwave oven**

**BM 281**

- Maximum microwave power up to 1,200 W. High performance in a compact format
- Various programs, sensor reheat and cooking programs
- Net volume 2.1 cu.ft.

Oven interior dimensions:  
W 18 7/16" x H 10 15/16" x D 18 1/2"  
(469 x 278 x 470 mm).

Appliance dimensions:  
W 23 3/8" x H 14" x D 19 7/16"  
(606 x 356 x 493 mm).

**Features**

Adjustable cooking time up to 90 minutes.  
16 1/2" glass rotating plate.  
Ability to adjust cooking time during countdown.  
Digital function display.  
Touch control panel.  
Innowave – variable power settings.  
Max. output power 1,200 Watts.  
10 power levels.  
18 sensor cooking programs.  
1 sensor reheat program.  
1 popcorn sensor cooking program.  
Auto defrost program by weight.  
Kitchen timer.  
20 W interior light.  
Side-opening door with panoramic window, left-hinged.

**Safety**

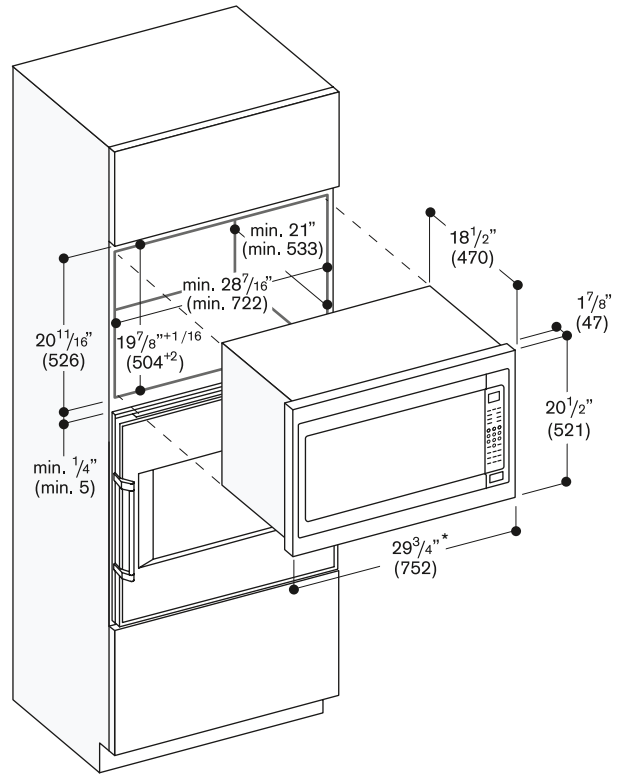
Child lock.  
Push release door opening system.  
Triple door lock.

**Planning notes**

Door hinge not reversible.  
Minimum installation height 36 1/16".

**Rating**

Total rating: 1.46 kW.  
Total Amps: 20 A.  
120 V / 60 Hz  
Connecting cable 3.4' with grounding plug.



\* Total width and height with built-in trim kit.