

Gaggenau

Use and care manual

Notice d'utilisation

Manual de instrucciones

AI 442 720

Hood

Hotte aspirante

Campana extractora

Table of Contents	3
--------------------------	----------

Table des Matières	17
---------------------------	-----------

Contenido	32
------------------	-----------

Table of Contents

Safety Definitions	4
IMPORTANT SAFETY INSTRUCTIONS	5
General notes	5
Fire Safety	5
Burn Prevention	6
Child Safety	6
Cleaning Safety	7
Safe use	7
Proper Installation and Maintenance	7
State of California Proposition 65 Warnings	8
Causes of damage	9
Protecting the environment	9
Saving energy	9
Environmentally-friendly disposal	9
Operating modes	10
Air extraction	10
Recirculation	10
Operating the appliance	10
Operating the appliance	10
Turn on the fan	10
Intense level	11
Automatic operation	11
Sensor control	11
Saturation notification	11
Lighting	11
Safety shut-off	11
Cleaning and maintenance	12
Troubleshooting	15
Customer service	16

Additional information on products, accessories, replacement parts and services can be found at www.gaggenau.com and in the online shop www.gaggenau-eshop.com

Safety Definitions

WARNING

This indicates that death or serious injuries may occur as a result of non-observance of this warning.

CAUTION

This indicates that minor or moderate injuries may occur as a result of non-observance of this warning.

NOTICE: This indicates that damage to the appliance or property may occur as a result of non-compliance with this advisory.

Note: This alerts you to important information and/or tips.



IMPORTANT SAFETY INSTRUCTIONS

READ AND SAVE THESE INSTRUCTIONS

WARNING

When properly cared for, your new appliance has been designed to be safe and reliable. Read all instructions carefully before use. These precautions will reduce the risk of burns, electric shock, fire, and injury to persons. When using kitchen appliances, basic safety precautions must be followed, including those in the following pages.

General notes

Examine the appliance after unpacking it. In the event of transport damage, do not plug it in.

Fire Safety

Always have a working smoke detector near the kitchen.

WARNING

TO REDUCE THE RISK OF A RANGE TOP GREASE FIRE:

- a) Never leave surface units unattended at high settings. Boilovers cause smoking and greasy spillovers that may ignite. Heat oils slowly on low or medium settings.
- b) Always turn hood ON when cooking at high heat.
- c) Clean ventilating fans frequently. Grease should not be allowed to accumulate on fan or filter.
- d) Use proper pan size. Always use cookware appropriate for the size of the surface element.

Do not flambé under the extractor hood or work with a naked flame. When switched on, the extractor hood draws flames into the filter. There is a risk of fire due to deposits on the grease filter!

CAUTION

For general ventilating use only. Do not use to exhaust hazardous or explosive materials and vapors.

Do not operate any fan with a damaged cord or plug. Discard fan or return to an authorized service facility for examination and/or repair.

Do not run cord under carpeting. Do not cover cord with throw rugs, runners, or similar coverings. Do not route cord under furniture or appliances. Arrange cord away from traffic area and where it will not be tripped over.

In the event that personal clothing or hair catches fire, drop and roll immediately to extinguish flames.

Smother flames from food fires other than grease fires with baking soda. Never use water on cooking fires.

WARNING

TO REDUCE THE RISK OF INJURY TO PERSONS IN THE EVENT OF A RANGE TOP GREASE FIRE, OBSERVE THE FOLLOWING:

- SMOTHER FLAMES with a close-fitting lid, cookie sheet, or metal tray, then turn off the burner. BE CAREFUL TO PREVENT BURNS. If the flames do not go out immediately, EVACUATE AND CALL THE FIRE DEPARTMENT.
 - NEVER PICK UP A FLAMING PAN – You may be burned.
 - DO NOT USE WATER, including wet dishcloths or towels – a violent steam explosion will result.
 - Use an extinguisher ONLY if:
 - You know you have a Class ABC extinguisher, and you already know how to operate it.
 - The fire is small and contained in the area where it started.
 - The fire department is being called
 - You can fight the fire with your back to an exit.
-

Have an appropriate fire extinguisher available, nearby, highly visible and easily accessible near the appliance.

Whenever possible, do not operate the ventilation system during a cooktop fire. However, do not reach through fire to turn it off.

WARNING

Risk of fire

Grease deposits in the grease filter can ignite.

Clean the grease filter at least every two months.

Never operate the appliance without the grease filter.



IMPORTANT SAFETY INSTRUCTIONS

READ AND SAVE THESE INSTRUCTIONS

WARNING

Risk of fire

Grease deposits in the grease filter can catch fire. Never work with a naked flame near the appliance (e.g. flambéing). Install the unit near a heat-producing appliance for solid fuels (e.g. wood or coal) only if there is a closed, non-detachable cover. There must be no flying sparks.

WARNING

Risk of fire

When gas burners are in operation without any cookware placed on them, they can build up a lot of heat. A ventilation appliance installed above the cooker may become damaged or catch fire. Only operate the gas burners with cookware on them.

WARNING

Risk of fire

During simultaneous use of multiple gas cooktops, a great deal of heat is created. A ventilation device located above it can become damaged or catch fire. Never use two gas cooktops together at maximum heat for longer than 15 minutes. One large burner with over 17,000 Btu/hr (5 kW) (wok) is equal to the wattage of two gas burners.

WARNING

Risk of fire

Operating several gas burners at the same time gives rise to a great deal of heat. The ventilation appliance may become damaged or catch fire. The ventilation appliance must only be combined with gas burners that do not exceed the maximum total output of 61,000 Btu/hr (18 kW). If 41,000 Btu/hr (12 kW) is exceeded, the local regulations concerning room ventilation, room size, and combination with ventilation devices in exhaust and recirculating operation must be heeded.

WARNING

Risk of fire

Hot oil and fat catch fire fast. Never leave hot oil and fat unsupervised. Never extinguish a fire with water. Switch off the cooking position. Suffocate flames carefully with a lid, a fire blanket or similar.

Burn Prevention

WARNING

Risk of burns

The accessible parts get hot during operation. Never touch hot parts. Keep children away.

Child Safety

When children become old enough to use the appliance, it is the legal responsibility of the parents or legal guardians to ensure that they are instructed in safe practices by qualified persons.

Remove all tape and packaging before using the appliance. Destroy the packaging after unpacking the appliance. Never allow children to play with packaging material.

Do not allow anyone to climb, stand, lean, sit, or hang on any part of an appliance, especially a door, warming drawer, or storage drawer. This can damage the appliance, and the unit may tip over, potentially causing severe injury.

Do not allow children to use this appliance unless closely supervised by an adult. Children and pets should not be left alone or unattended in the area where the appliance is in use. They should never be allowed to play in its vicinity, whether or not the appliance is in use.

CAUTION

Items of interest to children should not be stored in an appliance, in cabinets above an appliance or on the backsplash. Children climbing on an appliance to reach items could be seriously injured.



IMPORTANT SAFETY INSTRUCTIONS

READ AND SAVE THESE INSTRUCTIONS

Cleaning Safety

WARNING

Be sure the entire appliance (including the grease filters and light bulbs, if applicable) has cooled and grease has solidified before attempting to clean any part of the appliance.

Do not use steam cleaners to clean the appliance.

Safe use

WARNING

Risk of injury

Edges of the appliance in the head area. Be careful not to hit your head against the appliance. Make sure that you allow sufficient headroom when cooking.

WARNING

Do not repair, replace or remove any part of the appliance unless specifically recommended in the manuals. Improper installation, service or maintenance can cause injury or property damage. Refer to this manual for guidance. All other servicing should be done by a qualified technician.

WARNING

Risk of injury

Items placed on the appliance may fall down. Do not place any objects on the appliance.

WARNING

Risk of injury

The light emitted by LED lights is very dazzling, and can damage the eyes (risk group 1). Do not look directly into the switched on LED lights for longer than 100 seconds.

Proper Installation and Maintenance

Have the installer show you the location of the circuit breaker or fuse. Mark it for easy reference.

This appliance must be properly installed and grounded by a qualified technician. Connect only to properly grounded outlet. Refer to Installation Instructions for details.

This appliance is intended for normal family household use only. It is not approved for outdoor use. See the Warranty. If you have any questions, contact the manufacturer.

Do not store or use corrosive chemicals, vapors, flammables or nonfood products in or near this appliance. It is specifically designed for use when heating or cooking food. The use of corrosive chemicals in heating or cleaning will damage the appliance and could result in injury.

Do not operate this appliance if it is not working properly, or if it has been damaged. Contact an authorized servicer.

Do not repair or replace any part of the appliance unless specifically recommended in this manual. Refer all servicing to a factory authorized service center.

CAUTION

Grease left on filters can remelt and move into the vent.

CAUTION

Turn power off at breaker before removing a damaged bulb. Do not touch the bulbs immediately after use. The bulbs will remain hot for several minutes.

WARNING

Make sure the appliance and lights are cool and power to the appliance has been turned off before replacing the light bulb(s). Failure to do so could result in electrical shock or burns. The lenses (if equipped) must be in place when using the appliance. The lenses (if equipped) serve to protect the light bulb from breaking. The lenses (if equipped) are made of glass. Handle carefully to avoid breaking. Broken glass can cause an injury.



IMPORTANT SAFETY INSTRUCTIONS

READ AND SAVE THESE INSTRUCTIONS

Hidden surfaces may have sharp edges. Use caution when reaching behind or under appliance.

WARNING

When the hood is operated in exhaust-air mode simultaneously with a different burner which also makes use of the same chimney (such as gas, oil or coal-fired heaters, continuous-flow heaters, hot-water boilers) care must be taken to ensure that there is an adequate supply of fresh air which will be needed by the burner for combustion.

Safe operation is possible provided that the under pressure in the room where the burner is installed does not exceed 4 Pa (0.04 mbar).

This can be achieved if combustion air can flow through non-lockable openings, e.g. in doors, windows and via the air-intake/exhaust-air wall box or by other technical measures, such as reciprocal interlocking, etc.

WARNING

Avoid carbon monoxide poisoning – Provide adequate air intake so combustion gases are not drawn back into the room.

An air-intake/exhaust-air wall box by itself is no guarantee that the limiting value will not be exceeded.

Note: When assessing the overall requirement, the combined ventilation system for the entire household must be taken into consideration. This rule does not apply to the use of cooking appliances, such as cooktops and ovens.

State of California Proposition 65 Warnings

WARNING

This product contains chemicals known to the State of California to cause cancer, birth defects or other reproductive harm.

Causes of damage

NOTICES:

- Risk of damage due to corrosion. Always turn appliance on when cooking to avoid condensation buildup. Condensation can lead to corrosion damages.
- Risk of damage due to ingress of humidity into the electronic circuitry. Never clean operator controls with a wet cloth.
- Surface damage due to incorrect cleaning. Clean stainless steel surfaces in the grind direction only. Do not use any stainless steel cleaners for operator controls.
- Surface damage due to strong or abrasive cleaning agents. Never use strong and abrasive cleaning agents.
- Risk of damage from condensation back flow. Install exhaust vent at a slight downward slope away from the appliance (1° slope).

Protecting the environment

Your new appliance is particularly energy-efficient. Here you can find tips on how to save even more energy when using the appliance, and how to dispose of your appliance properly.

Saving energy

- Only switch the fan on when necessary. If you are just warming something up briefly that does not have a strong smell, you can also leave the fan switched off.
- Select a fan level that is appropriate for the circumstances.
- Switch the ventilation off after cooking.
- Clean the grease filter regularly; this increases the effectiveness of the ventilation.
- Switch the lighting of the appliance off when it is not being used.

Environmentally-friendly disposal

Unpack the appliance and dispose of the packaging in line with environmental requirements.

Operating modes

You can use this appliance in the air extraction or the recirculation mode.

Air extraction



The air sucked in is cleaned by the grease filters and is routed outdoors through a pipe system.

Note: The extracted air must neither be discharged into an operating smoke or waste gas chimney nor into a shaft that serves to ventilate rooms where heat-producing appliances are installed.

- The local chimney sweep's consent must be obtained if the exhaust air is to be routed to a smoke or waste gas chimney that is not in operation.
- A telescopic wall duct should be used if the exhaust air is routed through the outside wall.

Recirculation



The aspirated air is cleaned by the grease filters and an activated charcoal filter and is returned to the kitchen.

Note: You must install an activated charcoal filter to bind odors in the recirculation mode. Refer to the manual or ask your specialist dealer for details of the various options for operating the appliance in the recirculation mode. You can obtain the necessary accessories from specialist dealers, from our after-sales service or in the online shop.

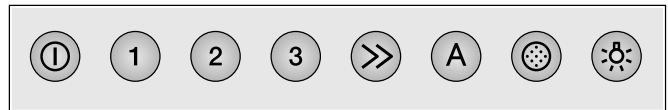
Operating the appliance

Note: Switch on the extractor hood when you start cooking and switch it off again only several minutes after you have finished cooking. This is the most effective way of removing the kitchen fumes.

Note: You can operate the extractor hood using both control panels.

Operating the appliance

Control panel



Explanation

①	Fan On/off
1	Fan level 1
2	Fan level 2
3	Fan level 3
>>	Intensive mode
A	Automatic operation
⦿	Saturation display
💡	Light on/off/dimming

Turn on the fan

Note: Always adjust the fan strength to meet current conditions. If there is a large build-up of steam or fumes, select a high fan setting.

Switching on

- 1 Press the ① button.
The fan starts on level 2.
- 2 Press the 1, 2, 3 or >> button to set the corresponding fan level.



Switching off

Press the ① button.

Intense level


For especially strong odor or vapor, use the intense level.

Switching on

- 1 Press the  button.
The fan starts on level 2.
- 2 Press the  button.
The intensive mode is activated.

Note: The run time of the intensive mode is 6 minutes. Once this time has elapsed, the appliance switches back to the previously selected fan level.



Switching off

Press the , or the button for another fan level.

The intensive mode ends.

Automatic operation

Switching on

- 1 Push the  button.
The fan starts in fan setting 2.
- 2 Push the  button.
The optimum fan setting 1, 2, or 3 is set automatically by a sensor.

Switching off

Press the  or  button.

Automatic mode is switched off.

The fan switches off automatically if the air quality in the room exceeds a certain level. The run time of the automatic mode is 4 hours at most.

Sensor control

In automatic mode, a sensor in the extractor hood detects the intensity of the cooking and roasting fumes. Depending on the setting of the sensor, the fan automatically switches to another fan level.



Default sensitivity setting: 2

Lowest sensitivity setting: 1

Highest sensitivity setting: 4

Changing the sensitivity of the sensor


If the sensor control reacts too quickly or too slowly, change the sensitivity setting.


- 1 When the fan is switched off, press the  button and hold it for approx. 4 seconds.
The setting is displayed.
- 2 Press button 1, 2, 3 or the  button to change the sensitivity setting.

Button 1 = Sensitivity 1


Button 2 = Sensitivity 2

Button 3 = Sensitivity 3

 button = Sensitivity 4

- 3 Press and hold the  button for approx. 4 seconds.
The change is saved.

Saturation notification

If the metal grease filters are saturated, the  button flashes.

At the latest now the metal grease filter should be cleaned.

For instructions on how to clean the metal grease filters, please refer to the **Cleaning and maintenance** section.

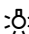
Resetting the saturation indicator

Press the  button.

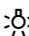
Lighting

The lighting can be switched on and off independently of the ventilation.

Switching on or switching off

Press the  button.

Setting the brightness

Press and hold the  button until the desired brightness is reached.

Safety shut-off

For your protection, the appliance is equipped with a safety shut-off. The lighting switches off after 12 hours and the fan after 4 hours if the appliance is not operated during this time.

Cleaning and maintenance

⚠ WARNING

Risk of burns

The appliance grows hot during operation. Let appliance cool down prior to cleaning.

⚠ WARNING

Risk of electric shock

Penetrating damp can cause electric shock. Only clean appliance with a damp cloth. Prior to cleaning, pull the plug or flip the breaker in the fusebox.

⚠ WARNING

Risk of electrical shock

Moisture entering the appliance can cause an electrical shock. Don't use a high-pressure cleaner or steam cleaner.

⚠ WARNING

Risk of injury

Components inside the appliance may have sharp edges. Wear protective gloves.

Cleaning agents

To ensure that the different surfaces are not damaged by using the wrong cleaning agent, observe the information in the table. Do not use:

- Harsh or abrasive cleaning agents,
- Cleaning agents with a high alcohol content,
- Hard scouring pads or cleaning sponges,
- High-pressure cleaners or steam cleaners.

Wash new sponge cloths thoroughly before use.

Follow all instructions and warnings included with the cleaning agents.

Area	Cleaning agent
Stainless steel	Hot soapy water: Clean with a dish cloth and then dry with a soft cloth. Clean stainless steel surfaces in the grind direction only. Special stainless steel cleaning products are available from our after-sales service or from specialist retailers. Apply a very thin layer of the cleaning product with a soft cloth.
Aluminum and plastic	Glass cleaner: Clean with a soft cloth.
Glass	Glass cleaner: Clean with a soft cloth. Do not use a glass scraper.
Controls	Hot soapy water: Clean using a damp dish cloth and dry with a soft cloth/towel. Risk of damage to the electronics from penetrating moisture. Never clean operating controls with a wet cloth. Do not use any stainless steel cleaners.

Degreaser (Product no. 00311297)

Intensive degreaser for effective removal of grease deposits in the extractor hood. Ideal for pre-treating metal grease filters.

Stainless steel care cloths (Product no. 00311134)

Used to care for stainless steel surfaces. Impregnated with special oil, prevents the accumulation of dirt and fingerprints.

Uninstalling metal grease filter

⚠ WARNING

Risk of injury

Metal grease filters and components inside the appliance may have sharp edges. Wear protective gloves.

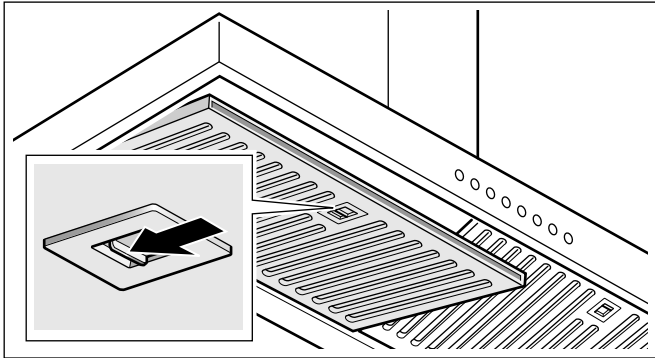
⚠ WARNING

Risk of injury

The metal grease filters are very heavy. Remove the metal grease filters carefully and secure them against falling down when doing so.

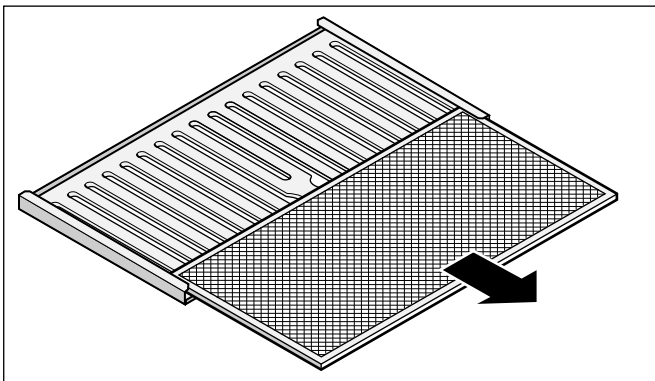
The metal grease filter consists of three components. You can take the metal grease filters apart to facilitate cleaning.

- 1 Open the lock and fold the metal grease filter downwards. For safety reasons, the metal grease filter is locked in place at the rear edge.

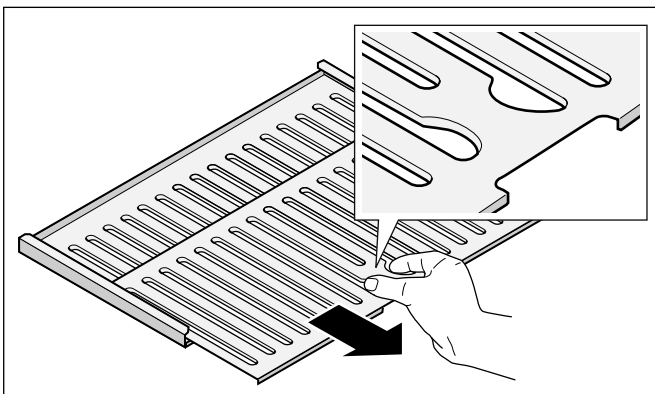


- 2 Slightly lift the front edge of the metal grease filter until it can be removed from the holder.
Note: Grease can accumulate in the bottom of the metal grease filter. Hold the metal grease filter level to prevent fat from dripping out.

- 3 Remove the metal mesh filter.



- 4 Pull the two parts of the filter apart, using the recessed grip to help you do this.



- 5 Clean the metal grease filter.
- 6 Clean the appliance from the inside.

Cleaning the metal grease filter

⚠ WARNING

Risk of fire

Grease deposits in the grease filter can ignite.
Clean the grease filter at least every two months.

Never operate the appliance without the grease filter.

Notes

- Do not use any aggressive, acidic or alkaline cleaning agents.
- When cleaning the metal grease filters, also clean the metal grease filter holder in the appliance with a moist cloth.
- You can clean the metal grease filters in a dishwasher or by hand.

In the dishwasher:

Note: If the metal grease filters are cleaned in the dishwasher, slight discoloration may occur. This has no effect on the function of the metal grease filters.

- Do not clean heavily soiled metal grease filters together with utensils.
- Remove any heavy soiling first by hand.
- Place the metal grease filters loosely in the dishwasher. The metal grease filters may not be wedged in.

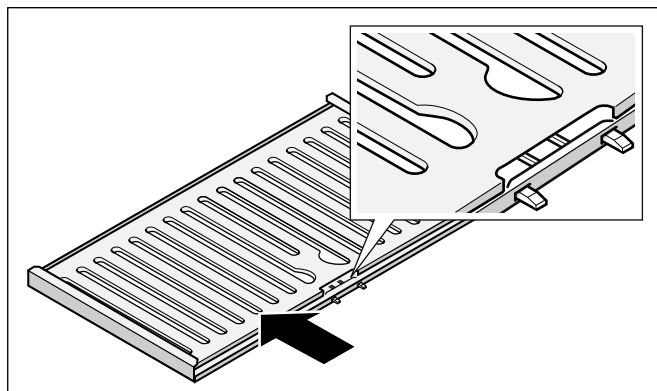
By hand:

- Soak the metal grease filters in hot soapy water.
- Clean the filters with a brush and then rinse them thoroughly.
- Leave the metal grease filters to drain.

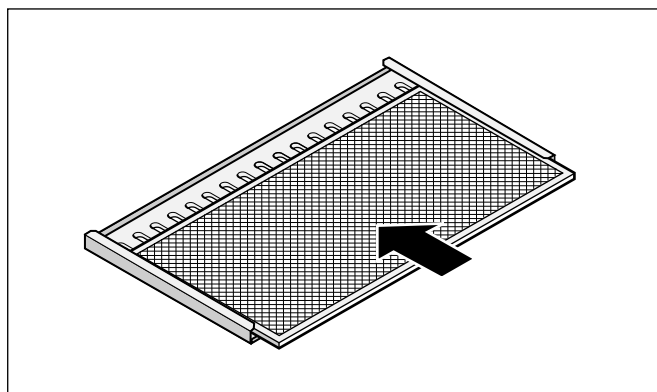
Note: You can use a special degreaser for stubborn dirt. This can be ordered via the Online-Shop (Product no. 00311297). Spray the dirty metal grease filters with the degreaser and leave it to work for up to five minutes. Then rinse thoroughly. Observe the instructions for use supplied with the cleaning product.


Installing metal grease filter

- 1 Push the two parts of the filter back together. Ensure that the opening on the edge is in the correct place.



- 2 Push the metal mesh filter in completely.



- 3 With the lock facing towards the front, place the metal grease filter in the underside of the appliance and engage the lock.
Note: When pushing the air filter in, make sure the lock engages. Otherwise, the metal grease filter can fall and damage the cooktop.
- 4 Push the  button.
The saturation indicator is reset.

Changing the activated charcoal filter (only in circulating-air mode)

WARNING

Risk of injury

Risk of falling while changing filter. Use a stable stepladder.

In order to ensure the degree of odor removal, you must change the activated charcoal filter regularly.

In the case of low or occasional use: change the activated charcoal filter after 18 months at the latest or if odors are present in the emergent air.

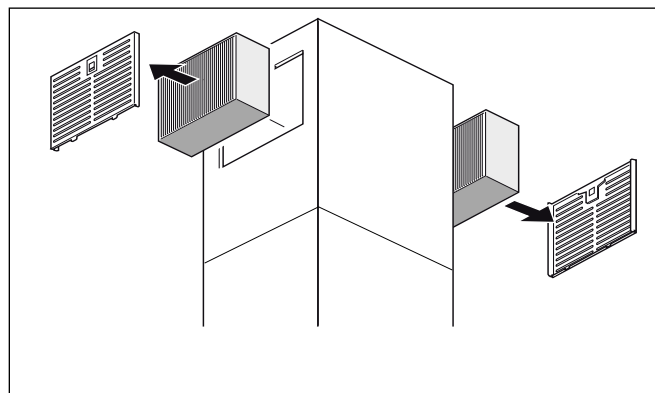
In the case of daily or heavy use: change the activated charcoal filter after 12 months at the latest or if odors are present in the emergent air.

Notes

- The activated charcoal filters are included in the scope of supply of the recirculating-air set AA 442 810. Additional activated charcoal filters can be obtained through specialist retailers, customer service, or the online shop under the part number AA 442 110 (package of 2 filters).
- Always change both activated charcoal filters.
- The activated charcoal filters cannot be cleaned or activated again.
- Dispose of used active charcoal filters in your household garbage.

Method

- 1 Open the lock on both protective grids and inspect the protective grids.
- 2 Remove the old activated charcoal filters.



- 3 Insert the new activated charcoal filters.
- 4 Insert the protective grids.

Troubleshooting

You can often easily eliminate problems that may occur on your own. Before calling customer service, take into account the following information.

WARNING

Risk of electric shock

Improper repairs are dangerous. Only an after-sales technician trained by us may perform repairs and may replace damaged connecting leads. Remove the mains plug or deactivate the fuse in the fuse box if the appliance is defective. Call after-sales service.

WARNING


Risk of injury

The light emitted by LED lights is very dazzling, and can damage the eyes (risk group 1). Do not look directly into the switched on LED lights for longer than 100 seconds.

LED lights

Defective LED lights may be replaced by the manufacturer, his customer service or a qualified technician (electrician) only.

Fault table

Disruption	Possible cause	Solution
The appliance does not work	The plug is not plugged in	Connect the appliance to the electricity supply
	Power failure	Check whether other kitchen appliances are working
	The fuse is faulty	Check in the fuse box to make sure that the fuse for the appliance is in working order
The appliance does not work, all buttons flash	The network cable plug is not plugged in	Check network cable connection for all appliances
	The fuse is faulty	Check in the fuse box to make sure that the fuses for all appliances are in working order
	A component of the appliance has failed	Call Customer Service
The appliance does not work	The appliance has been operating for longer than 4 hours, safety shut-off was activated	Switch the appliance on again
The button illumination does not work	The control unit is faulty	Call Customer Service
The lighting does not work	The lighting is defective	Call Customer Service
The  button flashes	The metal filter is saturated	Clean the filter, see the <i>Cleaning and maintenance</i> section

Customer service

If your appliance needs repairs, our customer service is there for you. We work hard to help solve problems quickly and without unnecessary service calls, getting your appliance back up and running correctly in the least amount of time possible.

When you call, please indicate the product number (E-Nr.) and serial number (FD-Nr.) so that we can support you in a qualified manner. The identification plate listing the numbers can be found inside of the appliance (remove metal grease filter to find it).

To avoid having to search for a long time when you need it, you can enter your appliance data and the customer support telephone number here.

E-Nr.

FD-Nr.

Customer Service 

Please read the use and care instructions provided with your appliance. Failure to do so may result in an error in using the appliance. This could result in a service call that instead of fixing a mechanical issue is only needed for customer education. Such calls are not covered by the appliance warranty.

Please find the contact data of all countries in the enclosed customer service list.

To book an engineer visit and product advice

USA 877 442 4436
 toll-free

CANADA 877 442 4436
 toll-free

You can rely on the manufacturer's expertise. Rest assured that the repair will be handled by trained service technicians who have the original replacement parts for your appliance.

Table des Matières

Définitions de Sécurité	18
CONSIGNES DE SÉCURITÉ IMPORTANTES	19
Instructions générales	19
Sécurité-incendie	19
Prévention des brûlures	20
Sécurité des enfants	20
Consignes en matière de nettoyage	21
Sécurité à l'utilisation	21
Installation et entretien corrects	21
Avertissements de la Proposition 65 de l'État de la Californie	22
Causes des dommages	23
Protection de l'environnement	23
Économies d'énergie	23
Élimination sans nuisances pour l'environnement	23
Modes de fonctionnement	24
Mode évacuation	24
Mode recyclage	24
Utilisation de l'appareil	24
Utilisation de l'appareil	24
Régler le ventilateur	24
Vitesse intensive	25
Mode Automatique	25
Commande par capteur	25
Indicateur de saturation	25
Éclairage	25
Coupure de sécurité	25
Nettoyage et entretien	26
Anomalies – que faire ?	30
Service après-vente	31

Vous trouverez des informations supplémentaires concernant les produits, accessoires, pièces de rechange et services sur Internet sous : www.gaggenau.com et la boutique en ligne : www.gaggenau-eshop.com

Définitions de Sécurité

AVERTISSEMENT

Le non-respect de cet avertissement peut entraîner la mort ou des blessures graves.

ATTENTION

Le non-respect de cet avertissement peut entraîner des blessures mineures ou modérées.

AVIS : Vous indique que des dommages à l'appareil ou aux biens peuvent survenir si vous ne respectez pas cet avertissement.

Remarque : Vous signale des informations importantes ou des conseils.



CONSIGNES DE SÉCURITÉ IMPORTANTES

LIRE ET CONSERVER CES INSTRUCTIONS

AVERTISSEMENT

Votre nouvel appareil a été conçu pour un fonctionnement sûr et fiable si vous en prenez bien soin. Lire attentivement toutes les consignes avant l'emploi. Ces précautions réduiront les risques de brûlures, de choc électrique, d'incendie et de lésions corporelles. Lors de l'utilisation d'un appareil électroménager, quelques précautions de sécurité élémentaires doivent être observées, y compris celles qui figurent aux pages suivantes.

Instructions générales

Contrôler l'appareil après l'avoir déballé. Si l'appareil a été endommagé durant le transport, ne pas le brancher.

Sécurité-incendie

Toujours avoir un détecteur de fumée en état de marche près de la cuisine.

AVERTISSEMENT

POUR RÉDUIRE LE RISQUE D'INCENDIE DE GRAISSE DE CUISINIÈRE:

- a) Ne laissez jamais la surface de cuisson sans surveillance à des températures élevées. Les débordements causent de la fumée et les résidus gras peuvent s'enflammer. Faites chauffer les huiles lentement à feu doux ou moyen.
- b) Faites toujours fonctionner la hotte lorsque vous cuisinez à feu vif.
- c) Nettoyez les ventilateurs régulièrement. Ne laissez pas la graisse s'accumuler sur le ventilateur ou sur le filtre.
- d) Utilisez des casseroles de taille appropriée. Utilisez toujours des récipients adaptés à la taille de la surface de cuisson.

Ne flambez jamais sous la hotte aspirante et ne travaillez jamais avec une flamme nue. Une hotte aspirante en marche aspire les flammes dans le filtre. Une hotte aspirante en marche aspire les flammes dans le filtre. Ne flambez jamais sous la hotte aspirante et ne travaillez jamais avec une flamme nue. Une hotte aspirante en marche aspire les flammes dans le filtre. Les dépôts de graisse sur les filtre risquent alors de s'enflammer!

ATTENTION

Appareil conçu exclusivement pour la ventilation générale. Ne pas utiliser pour évacuer des matières et vapeurs dangereuses ou explosives.

Ne pas mettre l'aérateur en marche si le cordon ou le connecteur d'alimentation sont endommagés. Mettre l'aérateur au rebut ou bien l'envoyer à un service après-vente agréé pour le contrôler et (ou) le réparer.

Ne pas faire passer le cordon d'alimentation sous un tapis. Ne pas recouvrir le cordon d'alimentation de petits tapis ou autres revêtements de sol de ce type. Ne pas faire passer le cordon d'alimentation sous des meubles ou des appareils. Poser le cordon d'alimentation hors des zones de passage et des endroits où il pourrait être heurté par des personnes.

Si des vêtements s'enflamment, rouler par terre immédiatement pour éteindre les flammes.

Étouffez les flammes d'un feu d'aliments autre qu'un feu de graisse à l'aide de bicarbonate de soude. Ne jamais utiliser d'eau sur les feux de cuisson.

AVERTISSEMENT

POUR RÉDUIRE LE RISQUE DE LÉSIONS CORPORELLES EN CAS D'UN FEU DE FRITURE SUR UNE CUISINIÈRE, OBSERVER CE QUI SUIT :

- ÉTOUFFER LES FLAMMES à l'aide d'un couvercle bien hermétique, d'une tôle à biscuits ou d'un plateau en métal, puis éteindre le brûleur. FAIRE ATTENTION À NE PAS SE BRÛLER. Si les flammes ne s'éteignent pas immédiatement, ÉVACUER LES LIEUX ET FAIRE APPEL AU SERVICE D'INCENDIE.
 - NE JAMAIS SOULEVER UNE POÊLE EN FLAMMES – Vous pourriez vous brûler.
 - NE PAS UTILISER D'EAU, y compris les chiffons ou serviettes mouillées - une violente explosion de vapeur pourrait se produire.
 - Utiliser UNIQUEMENT un extincteur si :
 - Vous savez que vous avez un extincteur de classe ABC et comment l'utiliser.
 - Le feu est petit et circonscrit à la zone où il a débuté.
 - Le service d'incendie est appelé.
 - Si l'on peut combattre le feu en ayant le dos vers une sortie.
-

Veillez à avoir à portée de main un extincteur d'incendie en bon état de marche, placé visiblement près de l'appareil et facile d'accès.



CONSIGNES DE SÉCURITÉ IMPORTANTES

LIRE ET CONSERVER CES INSTRUCTIONS

Dans la mesure du possible, ne pas faire fonctionner le système de ventilation lorsqu'un feu se déclenche sur une table de cuisson. Toutefois, ne pas passer la main à travers le feu pour mettre le système de ventilation hors tension.

AVERTISSEMENT

Risque d'incendie

Les dépôts se trouvant dans le filtre à graisse peuvent s'enflammer.

Nettoyer le filtre à graisse au moins tous les 2 mois.

Ne jamais faire fonctionner l'appareil sans son filtre à graisse.

AVERTISSEMENT

Risque d'incendie

Les dépôts se trouvant dans le filtre à graisse peuvent s'enflammer. Ne jamais cuisiner à proximité de l'appareil avec une flamme ouverte (par exemple pour faire flamber). Installer l'appareil près d'un foyer pour combustibles solides (bois ou charbon par exemple) seulement s'il y a un couvercle fermé et non amovible. Il ne faut pas qu'il se produise de projection d'étincelles.

AVERTISSEMENT

Risque d'incendie

Les brûleurs gaz dégagent une forte chaleur lorsqu'aucun récipient n'est posé dessus. Ils peuvent alors endommager les appareils de ventilation. Utiliser les brûleurs gaz uniquement lorsqu'un récipient est placé dessus.

AVERTISSEMENT

Risque d'incendie

Lors du fonctionnement simultané de plusieurs foyers gaz il y a une forte production de chaleur. Un appareil de ventilation monté au-dessus peut être endommagé ou prendre feu. Ne faites jamais fonctionner en même temps deux foyers gaz à feu vif pendant plus de 15 minutes. Un brûleur grande puissance de plus de 17,000 Btu/hr (5 kW) (wok) chauffe autant que deux brûleurs gaz.

AVERTISSEMENT

Risque d'incendie

Le fonctionnement simultané de plusieurs feux gaz engendre une forte production de chaleur. Le cas échéant, l'appareil de ventilation peut être endommagé ou s'enflammer. L'appareil de ventilation doit uniquement être combiné avec des feux gaz dont la puissance totale maximale ne dépasse pas 61,000 Btu/hr (18 kW). Si la puissance maximale dépasse 41,000 Btu/hr (12 kW), les prescriptions locales en matière de ventilation, de volume de la pièce et de combinaison avec des appareils de ventilation en mode aspiration ou ventilation doivent être observées.

AVERTISSEMENT

Risque d'incendie

L'huile et la graisse très chaudes s'enflamment rapidement. Ne jamais laisser de l'huile et de la graisse chaudes sans surveillance. Ne jamais éteindre un incendie avec de l'eau. Éteindre le foyer. Étouffer les flammes avec précaution au moyen d'un couvercle, d'une couverture antifeu ou équivalent.

Prévention des brûlures

AVERTISSEMENT

Risque de brûlure

Les parties accessibles chauffent lorsque la table est allumée. Ne touchez jamais aux parties très chaudes. Tenez les enfants à distance.

Sécurité des enfants

Lorsque les enfants sont assez âgés pour utiliser l'appareil, il incombe aux parents ou tuteurs légaux de veiller à ce qu'ils soient formés aux pratiques sécuritaires par des personnes qualifiées.

Enlever le ruban adhésif et l'emballage avant d'utiliser l'appareil. Détruire l'emballage après avoir déballé l'appareil. Ne jamais laisser les enfants jouer avec les matériaux de conditionnement.



CONSIGNES DE SÉCURITÉ IMPORTANTES

LIRE ET CONSERVER CES INSTRUCTIONS

Ne permettre à personne de grimper, rester debout, s'appuyer, s'asseoir ou se pencher sur toute partie d'un appareil, notamment une porte, un tiroir-réchaud ou un tiroir de rangement. Ceci peut endommager l'appareil qui risque de basculer et causer des blessures sérieuses.

Ne pas permettre aux enfants d'utiliser cet appareil sauf sous la surveillance attentive d'un adulte. Ne pas laisser les enfants et les animaux seuls ou sans surveillance lorsque l'appareil est en service. Ne jamais les laisser jouer aux alentours de l'appareil, que ce dernier soit en service ou non.

ATTENTION

Les articles d'intérêt pour les enfants ne doivent pas être rangés dans un appareil électroménager, dans les armoires au-dessus de l'appareil ou sur le dossier. Les enfants peuvent grimper sur l'appareil pour atteindre ces objets et se blesser sérieusement.

Consignes en matière de nettoyage

AVERTISSEMENT

S'assurer que l'appareil a complètement refroidi (y compris les filtres à graisse et les ampoules, le cas échéant) et que la graisse s'est solidifiée avant de tenter de nettoyer une quelconque partie de l'appareil.

Ne pas utiliser de nettoyeur à vapeur pour nettoyer l'appareil.

Sécurité à l'utilisation

AVERTISSEMENT

Risque de blessure

Arrêtez de l'appareil au niveau de la tête. Veillez à ne pas vous cogner la tête contre l'appareil. Veillez à ce qu'il y ait suffisamment d'espace au-dessus de la tête pendant que vous cuisinez.

AVERTISSEMENT

Ne pas réparer ni remplacer toute pièce de l'appareil à moins que cela ne soit expressément recommandé dans ce manuel. Ne jamais modifier ni altérer la configuration de l'appareil. Toute installation, réparation ou maintenance inadéquate peut entraîner des blessures ou des dommages matériels. Se reporter à ce manuel pour obtenir des conseils sur la façon de procéder. Toute réparation doit être effectuée par un centre de réparation autorisé par l'usine.

AVERTISSEMENT

Risque de blessure

Des objets posés sur l'appareil risquent de tomber. Ne pas déposer d'objets sur l'appareil.

AVERTISSEMENT

Risque de blessure

La lumière des lampes DEL est très éblouissante et peut causer des lésions aux yeux (groupe de risque 1). Ne pas regarder plus de 100 secondes directement les lampes DEL allumées.

Installation et entretien corrects

Demandez à l'installateur de vous montrer où se trouve le disjoncteur ou le fusible. Identifier sa position pour pouvoir le retrouver facilement.

Cet appareil doit être adéquatement installé et mis à la terre par un technicien agréé. Branchez l'appareil uniquement dans une prise correctement reliée à la terre. Pour plus de détails, reportez-vous à la notice d'installation.

Cet appareil est destiné uniquement à une utilisation domestique normale. Il n'est pas homologué pour un usage en extérieur. Voyez la garantie. Si vous avez des questions, communiquez avec le fabricant.

Ne pas entreposer ni utiliser de produits chimiques corrosifs, vapeurs, substances inflammables ou produits non alimentaires à l'intérieur ou à proximité de l'appareil. Il a été spécialement conçu pour être utilisé pendant le chauffage et la cuisson des aliments. L'emploi de produits chimiques corrosifs



CONSIGNES DE SÉCURITÉ IMPORTANTES

LIRE ET CONSERVER CES INSTRUCTIONS

pour chauffer ou nettoyer l'appareil endommagera ce dernier et peut provoquer des blessures.

Ne pas se servir de cet appareil s'il ne fonctionne pas correctement ou s'il est endommagé. Communiquer avec un réparateur autorisé.

Ne pas réparer ni remplacer toute pièce de l'appareil à moins que cela ne soit spécifiquement recommandé par ce manuel. Toute réparation doit être effectuée par un centre de réparation autorisé par l'usine.

ATTENTION

La graisse restant sur les filtres peut se fondre à nouveau et se déplacer à l'intérieur de l'évent.

ATTENTION

Couper le courant au niveau du disjoncteur avant d'enlever une ampoule grillée. Ne pas toucher les ampoules immédiatement après les avoir utilisées. Elles restent chaudes pendant quelques minutes.

AVERTISSEMENT

S'assurer que l'appareil et les ampoules ont refroidi et que le courant qui alimente l'appareil a été coupé avant de changer une ou plusieurs ampoules. Le non respect de cette instruction peut entraîner un choc électrique ou des brûlures. Les lentilles (le cas échéant) doivent être mises en place lors de l'utilisation de l'appareil. Les lentilles (le cas échéant) permettent d'éviter que les ampoules ne se brisent. Les lentilles (le cas échéant) sont en verre. Manipuler avec précaution pour éviter les cassures. Le verre brisé peut être une cause de blessures.

Certaines surfaces peuvent avoir des bords tranchants. Faire attention en étendant le bras derrière l'appareil ou en dessous.

AVERTISSEMENT

Lorsque la hotte aspirante est utilisée en mode d'évacuation d'air simultanément avec un brûleur différent utilisant également la même cheminée, (tels des appareils de chauffage au gaz, à l'huile ou au charbon, des chauffe-eau instantanés ou des chaudières à eau chaude), veillez à ce que l'apport d'air frais soit suffisant pour assurer la combustion adéquate du brûleur.

Un fonctionnement sans risque est possible si la sous-pression dans la pièce où le brûleur est installé ne dépasse pas 4 Pa (0,04 mbar).

On peut y parvenir en acheminant l'air requis pour la combustion à travers des ouvertures non verrouillables, par exemple dans les portes et fenêtres, et en association avec des boîtiers muraux d'admission/d'évacuation d'air fixées au mur ou grâce à d'autres mesures techniques telles qu'un verrouillage réciproque, etc.

AVERTISSEMENT

Évitez l'intoxication au monoxyde de carbone. –

Prévoyez une admission d'air adéquate pour empêcher l'aspiration des gaz de combustion dans la pièce.

Un boîtier mural air d'admission/air d'échappement ne peut garantir que la valeur limite ne sera pas dépassée.

Remarque : Lorsque vous évaluez les exigences globales, vous devez tenir compte du système combiné d'aération de la maison au complet. Cette règle ne s'applique pas aux appareils de cuisson, comme les surfaces de cuisson et les fours.

Avertissements de la Proposition 65 de l'État de la Californie

AVERTISSEMENT

Ce produit contient des produits chimiques connus de l'État de la Californie pour causer le cancer, des anomalies congénitales ou d'autres problèmes de reproduction.

Causes des dommages

AVIS:

- Risque de détérioration par la corrosion. Toujours allumer l'appareil pendant la cuisson afin d'éviter la formation de condensation. Cette dernière peut provoquer de la corrosion.
- Risque de détérioration par pénétration d'humidité dans l'électronique. Ne jamais nettoyer les commandes avec un chiffon humide.
- Détérioration de la surface par un nettoyage inapproprié. Nettoyer les surfaces en inox seulement dans le sens du métal. Ne pas utiliser de nettoyant à inox pour les organes de commande.
- Détérioration des surfaces par les produits de nettoyage agressifs ou abrasifs. Ne jamais utiliser de produits de nettoyage agressifs ou abrasifs.
- Risque d'endommagement par le reflux de condensat. Installer le canal d'évacuation d'air légèrement incliné vers le bas à partir de l'appareil (1° de pente).

Protection de l'environnement

Votre nouvel appareil est d'une très grande efficacité énergétique. Vous trouverez ici des conseils sur comment vous pouvez économiser encore plus d'énergie lors de l'utilisation de l'appareil et sur comment correctement éliminer l'appareil.

Économies d'énergie

- Activez la ventilation uniquement lorsque cela est nécessaire. Si vous ne réchauffez que brièvement un mets qui ne sent pas fort, vous pouvez aussi laisser la ventilation éteinte.
- Choisissez une puissance d'aspiration qui est adaptée aux conditions.
- Éteignez de nouveau la ventilation après avoir cuisiné.
- Nettoyez régulièrement le filtre à graisse, cela augmente l'efficacité de la ventilation.
- Éteignez l'éclairage de l'appareil si vous ne l'utilisez pas.

Élimination sans nuisances pour l'environnement

Déballez l'appareil et jetez l'emballage dans le respect de l'environnement.

Modes de fonctionnement

Vous pouvez utiliser cet appareil en mode évacuation ou en mode recyclage.

Mode évacuation



L'air aspiré est purifié par les filtres à graisse, puis rejeté à l'air libre par une conduite.

Remarque : Il ne faut pas rejeter l'air usé dans une cheminée d'évacuation en service, ni dans un conduit servant à la ventilation de pièces où sont installés des foyers.

- Pour rejeter l'air dans un conduit de fumées qui n'est pas en service, il faut demander l'accord du maître ramoneur compétent.
- Si l'air est évacué à travers le mur extérieur de l'habitation, il faut utiliser un caisson mural télescopique.

Mode recyclage



L'air aspiré est nettoyé par les filtres à graisse et un filtre à charbon actif, puis ramené dans la cuisine.

Remarque : Pour que les odeurs soient retenues en mode recyclage, vous devez monter un filtre à charbon actif. Pour en savoir plus sur les différentes possibilités d'utilisation de l'appareil en mode recyclage, consultez la documentation ou contactez votre distributeur. Vous trouverez les accessoires nécessaires chez les distributeurs spécialisés, auprès de notre service après-vente ou sur la boutique en ligne,

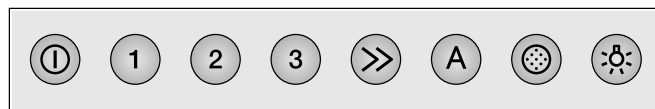
Utilisation de l'appareil

Remarque : Allumez la hotte aspirante dès le début de la cuisson; une fois la cuisson terminée, laissez la hotte aspirante fonctionner encore quelques minutes. Ceci permet d'éliminer les vapeurs de cuisson plus efficacement.

Remarque : Vous pouvez faire fonctionner la hotte aspirante avec les deux bandeaux de commande.

Utilisation de l'appareil

Bandeau de commande



Explication

①	Mettre en marche / arrêter le ventilateur
1	Puissance d'aspiration 1
2	Puissance d'aspiration 2
3	Puissance d'aspiration 3
>>	Aspiration intensive
A	Mode Automatique
⊙	Indicateur de saturation
☀	Lumière marche/arrêt/gradation

Régler le ventilateur

Remarque : Toujours adapter la puissance du ventilateur aux conditions du moment. En cas d'émanations très denses de vapeur, veuillez sélectionner une puissance d'aspiration élevée.

Mise en marche

- 1 Appuyer sur la touche ①.
Le ventilateur démarre à la puissance 2.
- 2 Appuyer sur la touche 1, 2, 3 ou >>, pour régler la puissance d'aspiration appropriée.

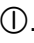
Arrêt

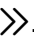
Appuyer sur la touche ①.

Vitesse intensive

En cas de forte émission d'odeurs ou de vapeurs de cuisson, utiliser la vitesse de ventilation intensive.


Mise en marche

1 Appuyer sur la touche .
Le ventilateur démarre à la puissance 2.

2 Appuyer sur la touche .
L'aspiration intensive est activée.

Remarque : Le temps de marche de l'aspiration intensive est de 6 minutes. Après écoulement de ce temps, l'appareil repasse à la puissance sélectionnée en dernier.

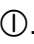
Arrêt


Appuyer sur la touche  ou sur la touche d'une autre puissance d'aspiration.

L'aspiration intensive est arrêtée.


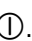
Mode Automatique

Mise en marche

1 Appuyer sur la touche .
Le ventilateur démarre à la puissance d'aspiration 2.

2 Appuyer sur la touche .
La puissance d'aspiration optimale 1, 2 ou 3 est automatiquement réglée à l'aide d'un capteur.

Arrêt

Appuyer sur la touche  ou .

Le mode automatique est désactivé.

Le ventilateur s'arrête automatiquement si la qualité de l'air ambiant atteint un certain niveau. La durée de marche du mode automatique est de max. 4 heures.

Commande par capteur

En mode automatique, un capteur installé dans la hotte détecte l'intensité des odeurs de cuisson et de rôtissage. Selon le réglage du capteur, le ventilateur commute automatiquement à une autre vitesse.


Réglage usine de la sensibilité : 2


Réglage du niveau minimal de la sensibilité : 1

Réglage du niveau maximal de la sensibilité : 4

Modifier le réglage de la sensibilité du capteur

Si la commande par capteur réagit trop vite ou trop lentement, modifiez le réglage de la sensibilité.


1 Avec le ventilateur éteint, maintenir la touche  enfoncée pendant environ 4 secondes.
Le réglage s'affiche.


2 Appuyer sur la touche 1, 2, 3 ou , pour modifier le réglage de la sensibilité.

Touche 1 = sensibilité 1


Touche 2 = sensibilité 2

Touche 3 = sensibilité 3

Touche  = sensibilité 4

3 Maintenir la touche  appuyée pendant environ 4 secondes.
La modification est mémorisée.


Indicateur de saturation

Lorsque le filtre à graisse métallique est saturé, la touche  clignote.

Au plus tard à ce moment-là, il faudrait nettoyer les filtres à graisse métalliques.

Pour savoir comment nettoyer les filtres à graisse métalliques, consultez le chapitre **Nettoyage et entretien**.

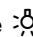
Réinitialiser l'indicateur de saturation

Appuyer sur la touche .

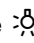
Éclairage

Vous pouvez allumer et éteindre l'éclairage indépendamment de la ventilation.

Activer ou désactiver

Appuyer sur la touche .

Régler la luminosité

Maintenir la touche  appuyée jusqu'à ce que la luminosité souhaitée soit atteinte.

Coupure de sécurité

Pour votre protection, l'appareil est doté d'une coupure de sécurité. L'éclairage est éteint au bout de 12 heures et le ventilateur après 4 heures, si aucune manipulation n'a lieu pendant ce temps.

Nettoyage et entretien

AVERTISSEMENT

Risque de brûlure

L'appareil chauffe pendant son fonctionnement. Avant de nettoyer l'appareil, il faut le laisser refroidir.

AVERTISSEMENT

Risque d'électrocution

Une infiltration d'humidité risque de provoquer un choc électrique. Nettoyer l'appareil uniquement avec un chiffon humide. Avant le nettoyage, débrancher la fiche secteur ou disjoncter le fusible dans le tableau électrique.

AVERTISSEMENT

Risque de choc électrique

La pénétration d'humidité peut provoquer un choc électrique. Ne pas utiliser de nettoyeur à haute pression ou à vapeur.

AVERTISSEMENT

Risque de blessure

Les pièces se trouvant dans l'appareil peuvent présenter des arêtes vives. Porter des gants de protection.

Produits de nettoyage

Afin de ne pas endommager les différentes surfaces avec des nettoyants inappropriés, respectez les indications du tableau. N'utilisez pas

- de produits agressifs ni abrasifs,
- de produits de nettoyage fortement alcoolisés,
- de tampons à recurer ni d'éponges grattantes,
- de nettoyeurs haute pression ni de nettoyeurs à vapeur.

Avant d'utiliser des lavettes éponges neuves, les rincer soigneusement.

Respectez l'ensemble des instructions et avertissements accompagnant les produits de nettoyage.

Surface	Nettoyants
Inox	Eau chaude additionnée de liquide à vaisselle : Nettoyez avec une lavette et séchez avec un chiffon doux. Nettoyez les surfaces en inox uniquement dans le sens de polissage du métal. Des produits d'entretien spécial inox sont disponibles auprès du service après-vente ou dans les commerces spécialisés. Appliquez une fine couche de produit d'entretien avec un chiffon doux.
Aluminium et plastique	Nettoyant pour vitres : Nettoyer avec un chiffon doux.
Verre	Nettoyant pour vitres : Nettoyer avec un chiffon doux. Ne pas utiliser de racloir à verre.
Éléments de commande	Eau chaude additionnée de liquide à vaisselle : Nettoyez avec une lavette humide et séchez avec un chiffon doux. Risque de détérioration de l'électronique par pénétration d'humidité. Ne nettoyez jamais les éléments de commande avec un chiffon humide. N'utilisez pas de nettoyant pour inox.

Dégraissant (n° de réf. 00311297)

Dégraissant intensif pour l'élimination efficace des dépôts de graisse dans la hotte aspirante. Idéal pour le traitement préalable des filtres à graisse métalliques.

Chiffons d'entretien spécial inox (n° de réf. 00311134)

Pour l'entretien des surfaces en inox. Imprégnés d'une huile spéciale, empêchent le dépôt de saletés et les empreintes de doigts.

Retirer le filtre à graisse métallique

⚠ AVERTISSEMENT

Risque de blessure

Le filtre à graisse métallique et des pièces à l'intérieur de l'appareil peuvent présenter des arêtes coupantes. Porter des gants de protection.

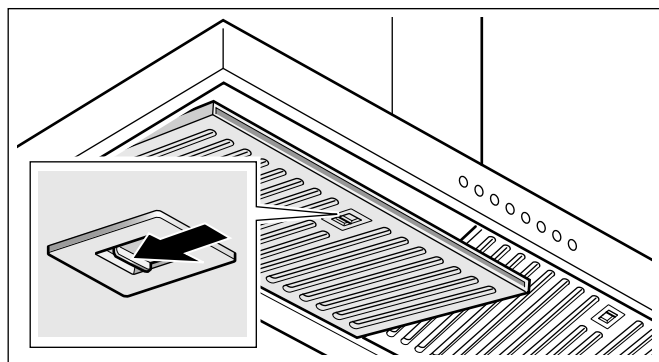
⚠ AVERTISSEMENT

Risque de blessure

Les filtres à graisse métalliques sont très lourds. Déposez les filtres à graisse métalliques avec précaution et bloquez-les pour qu'ils ne tombent pas.

Le filtre à graisse métallique comprend trois composants. Pour faciliter le nettoyage, vous pouvez désassembler le filtre à graisse métallique.

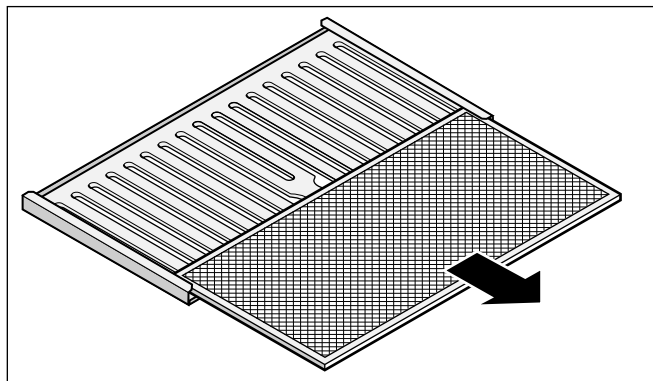
- 1 Déverrouiller et rabattre le filtre à graisse métallique vers le bas. Pour votre sécurité, le filtre à graisse métallique est encliqueté au bord arrière.



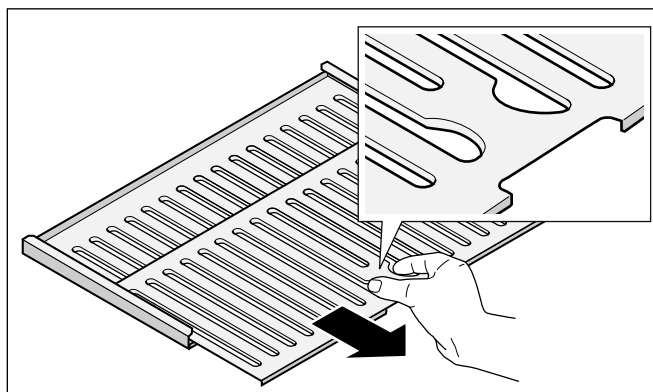
- 2 Soulever légèrement le filtre à graisse métallique au bord avant, jusqu'à ce qu'il puisse être retiré de la fixation.

Remarque : La graisse peut s'accumuler dans le bas du filtre à graisse en métal. Tenir le filtre à graisse métallique à l'horizontale pour éviter tout égouttement de graisse.

- 3 Extraire le filtre à tissu métallique.



- 4 Séparer les deux éléments de filtre en les écartant à l'aide des poignées encastées.



- 5 Nettoyer le filtre à graisse métallique.
- 6 Nettoyer l'intérieur de l'appareil.

Nettoyage du filtre à graisse métallique

⚠ AVERTISSEMENT

Risque d'incendie

Les dépôts se trouvant dans le filtre à graisse peuvent s'enflammer.

Nettoyer le filtre à graisse au moins tous les 2 mois.

Ne jamais faire fonctionner l'appareil sans son filtre à graisse.

Remarques

- N'utilisez pas de produits nettoyants agressifs, contenant de l'acide ou de la lessive.
- Au moment du nettoyage des filtres à graisse métalliques, nettoyez aussi la fixation des filtres avec un chiffon humide, à l'intérieur de l'appareil.
- Vous pouvez nettoyer les filtres à graisse métalliques au lave-vaisselle ou à la main .

Au lave-vaisselle :

Remarque : Lors du nettoyage au lave-vaisselle, de légères décolorations peuvent apparaître. Elles n'influent en aucun cas sur le fonctionnement des filtres à graisse métalliques.

- Ne nettoyez pas les filtres à graisse métalliques fortement encrassés en même temps que la vaisselle.
- Éliminez d'abord les salissures importantes à la main.
- Placez les filtres à graisse métalliques dans le lave-vaisselle sans les coincer. Les filtres à graisse métalliques ne doivent pas être coincés.

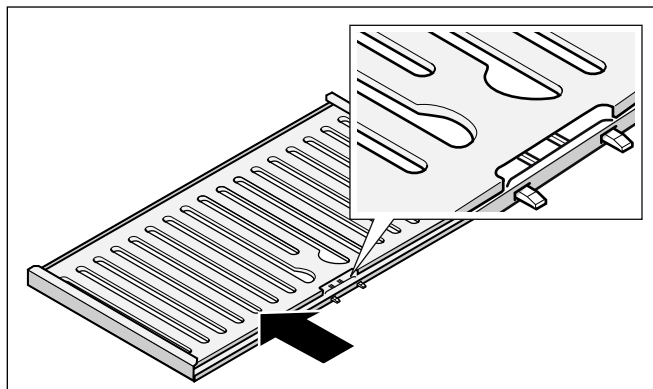
À la main :

- Mettez les filtres à graisse métalliques à tremper dans de l'eau additionnée de produit à vaisselle chaude.
- Utilisez une brosse pour le nettoyage, puis rincez bien les filtres.
- Laissez s'égoutter les filtres à graisse métalliques.

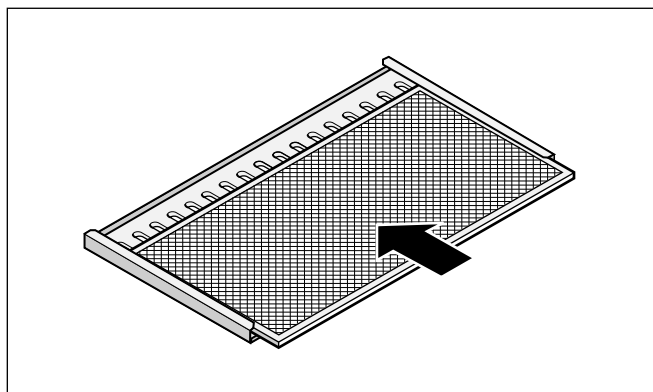
Remarque : En présence de salissures tenaces, vous pouvez utiliser un dégraissant spécial. Vous pouvez le commander via notre boutique en ligne (n° de réf. 00311297). Pulvérisez le produit sur les filtres à graisse métalliques encrassés, puis laissez le dégraissant agir pendant 5 minutes max. Ensuite, rincez-les soigneusement. Respectez les indications d'utilisation du produit nettoyant.

Mettre en place le filtre à graisse métallique

- 1 Rassembler les deux éléments de filtre en les poussant. Veiller à la position correcte de l'ouverture au niveau de l'arête.




- 2 Introduire le filtre à tissu métallique en le poussant jusqu'en butée.



- 3 Mettre en place le filtre à graisse métallique sur le dessous de l'appareil, le verrouillage vers l'avant, et encliqueter le verrouillage.

Remarque : S'assurer lors de l'introduction que le verrouillage s'encliquette. Sinon le filtre à graisse métallique peut tomber et endommager la table de cuisson.

- 4 Appuyer sur la touche . L'indicateur de saturation est réinitialisé.

Changement des filtres à charbon actif (uniquement en cas de mode recyclage)

⚠ AVERTISSEMENT

Risque de blessure

Risque de chute lors du changement des filtres.
Utilisez un escabeau stable.

Afin de garantir la capacité de rétention des odeurs, vous devez changer régulièrement les filtres à charbon actif.

En cas d'utilisation modérée ou occasionnelle :
changer les filtres à charbon actif au plus tard après 18 mois ou en cas d'odeurs dans l'air sortant.

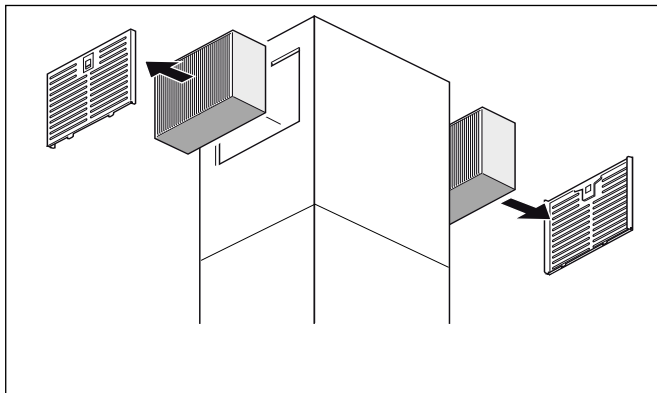
En cas d'utilisation quotidienne ou intensive : changer les filtres à charbon actif au plus tard après 12 mois ou en cas d'odeurs dans l'air sortant.

Remarques

- Les filtres à charbon actif font partie des éléments de l'ensemble de recyclage de l'air AA 442 810. Des filtres à charbon actif supplémentaires sont en vente dans les commerces spécialisés, auprès du service après-vente ou dans la boutique en ligne sous la référence AA 442 110 (paquet avec 2 filtres).
- Changez toujours les deux filtres à charbon actif.
- Les filtres à charbon actif ne peuvent pas être nettoyés ou réactivés.
- Jetez les filtres à charbon actif usagés avec les ordures ménagères.

Procédez de la manière suivante

- 1 Ouvrez les verrouillages aux deux grilles de protection et enlevez les grilles.
- 2 Enlevez les filtres à charbon actif usagés.



- 3 Mettez en place des filtres à charbon actif neufs.
- 4 Réinsérez les grilles de protection.

Anomalies – que faire ?

Dans de nombreux cas, vous pourrez remédier vous-même facilement aux anomalies. Avant de contactez le service après-vente, veuillez vérifier les points suivants :

AVERTISSEMENT

Risque de choc électrique

Les réparations non conformes sont sources de danger. Les réparations et le remplacement des câbles endommagés doivent être confiés exclusivement à des techniciens de S.A.V. formés par nous. Si l'appareil est défectueux, débrancher la fiche d'alimentation secteur ou désactiver le coupe-circuit sur le tableau électrique. Appeler le S.A.V.

AVERTISSEMENT


Risque de blessure

La lumière des lampes DEL est très éblouissante et peut causer des lésions aux yeux (groupe de risque 1). Ne pas regarder plus de 100 secondes directement les lampes DEL allumées.

Lampes à DEL

Le remplacement des DEL défectueuses doit être effectué exclusivement par le fabricant, le service après-vente ou un spécialiste agréé (installateur d'équipement électrique).

Tableau de dépannage

Anomalie	Cause possible	Solution
L'appareil ne fonctionne pas	La fiche n'est pas connectée	Connecter l'appareil à la prise secteur
	Panne de courant	Vérifier si les autres appareils de cuisine fonctionnent
	Fusible défectueux	Vérifier dans le boîtier à fusibles si le fusible pour l'appareil est en bon état
L'appareil ne fonctionne pas, toutes les touches clignotent	La fiche du câble réseau n'est pas connectée	Vérifier la connexion des câbles réseau pour tous les appareils
	Fusible défectueux	Vérifier dans le boîtier à fusibles si les fusibles pour tous les appareils sont en bon état
	Un composant de l'appareil est tombé en panne	Appeler le service après-vente
L'appareil ne fonctionne pas	L'appareil fonctionne depuis plus de 4 heures, la coupure de sécurité a été activée	Rallumer l'appareil
L'éclairage des touches ne fonctionne pas	L'unité de commande est défectueuse	Appeler le service après-vente
L'éclairage ne fonctionne pas	L'éclairage est défectueux	Appeler le service après-vente
La touche  clignote	Le filtre à graisse métallique est saturé	Nettoyer le filtre, voir le chapitre <i>Nettoyage et entretien</i>

Service après-vente

Si votre appareil doit être réparé, notre service après-vente est à votre disposition. Nous trouvons toujours une solution adaptée, y compris pour éviter les visites inutiles de techniciens.

Lors de votre appel, indiquez le numéro du produit (n° E) et le numéro de série (n° FD) afin que nous puissions vous donner une réponse précise. Vous trouverez la plaque signalétique à l'intérieur de l'appareil (après avoir retiré le filtre à graisse en métal).

Pour ne pas avoir à chercher longtemps en cas de besoin, vous pouvez inscrire ici les références de l'appareil et le numéro de téléphone du service après-vente.

N° E

N° FD

Service après-vente 

N'oubliez pas qu'en cas de fausse manœuvre, la visite d'un technicien d'après-vente n'est pas gratuite, même pendant la garantie.

Vous trouverez les données de contact pour tous les pays dans l'annuaire ci-joint du service après-vente.

Demande de réparation et conseils en cas de dysfonctionnement

CA 877 442 4436

toll-free

Faites confiance à la compétence du fabricant. Ainsi vous êtes assurés que la réparation sera effectuée par des techniciens formés qui possèdent les pièces de rechange d'origine pour votre appareil.

Contenido

Definiciones de Seguridad	33
INSTRUCCIONES DE SEGURIDAD IMPORTANTES	34
Indicaciones generales	34
Seguridad para evitar incendios	34
Prevención de quemaduras	35
Seguridad de los niños	35
Seguridad en la limpieza	36
Seguridad durante su uso	36
Instalación y mantenimiento adecuados	36
Advertencias en virtud de la Proposición 65 del estado de California	37
Causas para los daños	38
Protección del medio ambiente	38
Ahorro de energía	38
Evacuación ecológica	38
Modos de funcionamiento	39
Funcionamiento con extracción de aire	39
Circulación del aire	39
Operar el equipo	39
Operar el equipo	39
Ajustar el ventilador	39
Nivel intensivo	40
Funcionamiento automático	40
Control del sensor	40
Indicador de saturación	40
Iluminación	40
Desconexión de seguridad	40
Limpieza y mantenimiento	41
¿Qué hacer en caso de fallas?	45
Servicio de atención al cliente	46

Encontrará más información sobre productos, accesorios, piezas de repuesto y servicios en internet: www.gaggenau.com y también en la tienda online: www.gaggenau-eshop.com

Definiciones de Seguridad

ADVERTENCIA

Esto indica que se pueden producir lesiones graves o la muerte si no se cumple con esta advertencia.

ATENCION

Esto indica que pueden producirse lesiones leves o moderadas si no se cumple con esta advertencia.

AVISO: Esto indica que puede producirse un daño al electrodoméstico o a la propiedad como resultado de la falta de cumplimiento de este aviso.

Nota: Esto lo alerta sobre información y/o consejos importantes.



INSTRUCCIONES DE SEGURIDAD IMPORTANTES

LEA Y CONSERVE ESTAS INSTRUCCIONES

ADVERTENCIA

Su nuevo electrodoméstico ha sido diseñado para ser seguro y confiable si recibe el cuidado adecuado. Lea atentamente todas las instrucciones antes de usarlo. Estas precauciones reducirán el riesgo de quemaduras, descarga eléctrica, incendio y lesiones a personas. Al utilizar electrodomésticos de cocina, se deben tomar precauciones de seguridad básicas, incluidas las que se encuentran en las páginas siguientes.

Indicaciones generales

Una vez retirado el embalaje, revise el aparato. No lo conecte si ha sufrido daños durante el transporte.

Seguridad para evitar incendios

Siempre tenga un detector de humo en funcionamiento cerca de la cocina.

ADVERTENCIA

PARA REDUCIR EL RIESGO DE INCENDIO OCASIONADO POR LA GRASA EN LA ESTUFA:

- Nunca deje las unidades de la superficie sin vigilancia en valores altos. Los derrames por hervor producen humos y salpicaduras grasosas que pueden prenderse fuego. Caliente los aceites despacio a temperaturas bajas o medianas.
- Siempre encienda la campana al cocinar a una temperatura alta.
- Limpie los ventiladores extractores con frecuencia. No se debe permitir la acumulación de la grasa en el ventilador ni en el filtro.
- Use el tamaño de cacerola adecuado. Siempre use utensilios de cocina apropiados para el tamaño del elemento de la superficie.

No flambee alimentos bajo la campana no decorativa ni trabaje con la llama abierta. Cuando está encendida, la campana extractora atrae las llamas hacia el filtro. ¡Siempre existe el riesgo de incendio debido a los depósitos en el filtro de grasa!

ATENCIÓN

Solo para la ventilación general. No utilizar para la extracción de sustancias y vapores peligrosos o explosivos.

No utilice ningún ventilador que tenga el cable o la clavija dañados. Deseche el ventilador o entréguelo a un taller autorizado para su inspección y/o reparación.

No tender el cable por debajo de moquetas. No tapar el cable con alfombras, felpudos ni similares. No pasar el cable por debajo de muebles o electrodomésticos. Tender el cable alejado de la zona de paso y en un lugar donde no implique peligro de tropiezo.

En el caso de que su ropa se prenda fuego, arrójese al piso y ruede de inmediato para extinguir las llamas.

Sofoque las llamas provocadas por alimentos que se prenden fuego, que no sean incendios ocasionados por grasa, con bicarbonato de sodio. Nunca use agua en incendios ocasionados al cocinar.

ADVERTENCIA

PARA REDUCIR EL RIESGO DE LESIONES A PERSONAS EN CASO DE INCENDIO OCASIONADO POR GRASA EN LA ESTUFA, SIGA ESTAS INDICACIONES:

- SOFOQUE LAS LLAMAS con una tapa que ajuste correctamente, una placa para galletas u otra bandeja de metal; luego, apague la hornilla. ASEGÚRESE DE PREVENIR LAS QUEMADURAS. Si las llamas no se apagan de inmediato, EVACUE EL ÁREA Y LLAME AL DEPARTAMENTO DE BOMBEROS.
 - NUNCA LEVANTE UNA OLLA EN LLAMAS ya que se puede quemar.
 - NO USE AGUA, ni toallas o repasadores húmedos, ya que puede ocasionar una violenta explosión por vapor.
 - Use un extinguidor SÓLO si:
 - Sabe que tiene un extinguidor Clase ABC y ya sabe cómo usarlo.
 - El incendio es pequeño y se limita al área donde se originó.
 - Alguien llamó al departamento de bomberos.
 - Puede combatir el incendio de espaldas a una salida.
-



INSTRUCCIONES DE SEGURIDAD IMPORTANTES

LEA Y CONSERVE ESTAS INSTRUCCIONES

Tenga un extinguidor de incendio disponible, cerca, en un área fácilmente visible y accesible, cerca del electrodoméstico.

Si es posible, no ponga el sistema de ventilación en funcionamiento si hay un incendio en la placa. Pero no atraviese el fuego con la mano para apagarla.

ADVERTENCIA

Peligro de incendio

Los depósitos de grasa en el filtro de grasa se pueden incendiar.

Limpie el filtro de grasa por lo menos cada dos meses.

Nunca haga funcionar el equipo sin filtro de grasa.

ADVERTENCIA

Peligro de incendio

Los depósitos de grasa en el filtro de grasa se pueden incendiar. Nunca trabaje con flama abierta cerca del equipo (por ejemplo con platillos flameados). Solamente instale el equipo cerca de un fogón para sustancias sólidas (p. ej. madera o carbón) si está disponible una cubierta cerrada que no se pueda quitar. No deben volar las chispas.

ADVERTENCIA

Riesgo de incendio

Los quemadores de gas en los que no se haya colocado ningún recipiente para cocinar encima, generan gran cantidad de calor durante su funcionamiento. Eso puede dañar o incendiar el aparato de ventilación situado encima. Utilizar los quemadores de gas únicamente colocando encima recipientes para cocinar.

ADVERTENCIA

Peligro de incendio

Cuando se usan simultáneamente varios fogones de gas se genera mucho calor. Eso puede dañar o incendiar el aparato de ventilación situado encima. No utilizar simultáneamente durante más de 15 minutos dos zonas de cocción de gas con una llama grande. Un quemador grande con más de 17,000 Btu/hr (5 kW) (wok) equivale a la potencia de dos quemadores de gas.

ADVERTENCIA

Riesgo de incendio

Cuando se usan simultáneamente varios quemadores de gas se genera mucho calor. El aparato de ventilación puede dañarse o incendiarse. El aparato de ventilación solo puede combinarse con quemadores de gas que no superen una potencia total máxima de 61,000 Btu/hr (18 kW). Al exceder la potencia total de 41,000 Btu/hr (12 kW) se deben observar los reglamentos locales respecto a la ventilación del área, tamaño del área y combinación con aparatos de ventilación en el modo de aire de extracción o aire de circulación.

ADVERTENCIA

Peligro de incendio

El aceite y la grasa calientes son altamente inflamables. Nunca deje aceite ni grasa calientes sin supervisión. Nunca extinga un incendio con agua. Apague la zona de cocina. Sofoque las llamas con cuidado con una tapa, una manta ignífuga o un objeto similar.

Prevención de quemaduras

ADVERTENCIA

Riesgo de quemaduras

Al estar en funcionamiento, las partes accesibles se calientan mucho. Nunca toque las partes calientes. Mantenga alejados a los niños.

Seguridad de los niños

Cuando los niños tienen la edad adecuada para utilizar el electrodoméstico, es responsabilidad legal de los padres o tutores legales asegurarse de que reciban las instrucciones sobre prácticas seguras por parte de personas calificadas.

Retire toda la cinta y el embalaje antes de usar el electrodoméstico. Destruya el embalaje después de desembalar el electrodoméstico. Nunca deje que los niños jueguen con el material de embalaje.



INSTRUCCIONES DE SEGURIDAD IMPORTANTES

LEA Y CONSERVE ESTAS INSTRUCCIONES

No deje que nadie se suba, pare, incline, sienta o cuelgue de cualquier parte de un electrodoméstico, especialmente una puerta, cajón calentador o cajón para almacenamiento. Esto puede dañar el electrodoméstico, y la unidad puede caerse y, posiblemente, causar lesiones graves.

No permita que niños utilicen este electrodoméstico, a menos que sean supervisados de cerca por un adulto. Los niños y las mascotas no deben quedar solos o sin vigilancia en el área donde se utilice el electrodoméstico. Nunca se les debe permitir jugar cerca del electrodoméstico, independientemente de que esté en funcionamiento o no.

ATENCIÓN

Los objetos de interés para niños no deben almacenarse en un electrodoméstico, en gabinetes sobre un electrodoméstico ni en la placa antisalpicaduras. Si los niños se suben a un electrodoméstico para alcanzar estos objetos, podrían sufrir lesiones graves.

Seguridad en la limpieza

ADVERTENCIA

Asegúrese de que todo el electrodoméstico (incluidos los filtros de grasa y los focos, si corresponde) se haya enfriado y la grasa se haya solidificado antes de intentar limpiar cualquier parte del electrodoméstico.

No use limpiadores a vapor para limpiar el aparato.

Seguridad durante su uso

ADVERTENCIA

Riesgo de lesiones

Bordes del aparato en la zona de la cabeza. No golpear la cabeza contra el aparato. Cuando se esté cocinando, mantener la cabeza a una distancia prudencial.

ADVERTENCIA

No repare ni reemplace ninguna parte del electrodoméstico, a menos que esté específicamente recomendado en este manual. Nunca modifique ni altere la construcción del electrodoméstico. La instalación, servicio técnico o mantenimiento incorrectos pueden causar lesiones o daños materiales. Consulte este manual para su orientación. Remita todas las reparaciones a un centro de servicio técnico autorizado por la fábrica.

ADVERTENCIA

Riesgo de lesiones

Los objetos situados sobre el aparato pueden caerse. No colocar objetos sobre el aparato.

ADVERTENCIA

Riesgo de lesiones

La luz de las luces LED es muy deslumbrante y puede dañar los ojos (grupo de riesgo 1). No mirar más de 100 segundos directamente a las luces LED encendidas.

Instalación y mantenimiento adecuados

Pídale al instalador que le muestre la ubicación del disyuntor o el fusible. Márquela para recordarla más fácilmente.

Este electrodoméstico debe ser correctamente instalado y conectado a tierra por un técnico calificado. Conéctelo sólo a una toma de corriente eléctrica correctamente conectada a tierra. Para obtener más información, consulte las Instrucciones de instalación.

Este electrodoméstico ha sido diseñado para uso doméstico normal únicamente. No está aprobado para uso en exteriores. Consulte la garantía. Si tiene alguna pregunta, comuníquese con el fabricante.

No almacene ni utilice productos químicos corrosivos, vapores, materiales inflamables ni productos no alimenticios dentro de este electrodoméstico ni cerca de él. Está específicamente diseñado para calentar o cocinar alimentos. El uso de productos químicos



INSTRUCCIONES DE SEGURIDAD IMPORTANTES

LEA Y CONSERVE ESTAS INSTRUCCIONES

corrosivos al calentar o limpiar dañará el electrodoméstico y podría causar lesiones.

No utilice este electrodoméstico si no funciona correctamente o si ha sido dañado. Comuníquese con un centro de servicio técnico autorizado.

No repare ni cambie ninguna parte del electrodoméstico, a menos que se recomiende específicamente en este manual. Remita todas las reparaciones a un centro de servicio técnico autorizado por la fábrica.

ATENCIÓN

La grasa acumulada en los filtros puede volver a derretirse y entrar en la abertura de ventilación.

ATENCIÓN

Apague la alimentación eléctrica en el disyuntor antes de retirar un foco dañado. No toque los focos inmediatamente después de que hayan estado en uso. Los focos permanecen calientes durante varios minutos.

ADVERTENCIA

Asegúrese de que el electrodoméstico y las luces se hayan enfriado, y de que la alimentación eléctrica del electrodoméstico esté apagada antes de cambiar el (los) foco(s). No hacerlo podría ocasionar una descarga eléctrica o quemaduras. La lente (si viene incorporada) debe estar en su lugar al usar el electrodoméstico. La lente (si viene incorporada) sirve para proteger el foco contra roturas. La lente (si viene incorporada) es de vidrio. Manipúlela con cuidado para que no se rompa. El vidrio roto podría causar una lesión.

Las superficies ocultas pueden tener bordes filosos. Proceda con cuidado al intentar tomar el electrodoméstico por la parte trasera o desde abajo.

ADVERTENCIA

Cuando se utiliza la campana en modo de aire de escape simultáneamente con un quemador diferente que también usa la misma chimenea (como calentadores a gas, aceite o carbón, calentadores de flujo continuo, calentadores de agua) se debe asegurar que haya un suministro de aire fresco suficiente para las necesidades de combustión del quemador.

La operación segura es posible siempre que la subpresión de la habitación donde está instalado el quemador no supere los 4 Pa (0.04 mbar).

Esto es posible si el aire de combustión puede circular a través de aberturas que no puedan trabarse, como ser en puertas y ventanas, y a través de cajas de entrada/salida de aire en la pared, o mediante otras medidas técnicas, como enclavamiento recíproco, etc.

ADVERTENCIA

Evite la intoxicación por monóxido de carbono: proporcione una entrada de aire suficiente para que los gases de la combustión no vuelvan a ingresar en la habitación.

Una caja de entrada/salida de aire en la pared por sí sola no garantiza que no se superará el valor límite.

Nota: Al evaluar el requisito total, se debe tener en cuenta el sistema de ventilación combinado para todo el hogar. Esta norma no se aplica al uso de aparatos de cocina, como parrillas y hornos.

Advertencias en virtud de la Proposición 65 del estado de California

ADVERTENCIA

Este producto contiene una o más sustancias químicas que el estado de California sabe que provocan cáncer, defectos congénitos, u otro daño reproductivo.

Causas para los daños

AVISOS:

- Peligro de daños por corrosión. Encender siempre el aparato cuando se vaya a cocinar con el fin de evitar la formación de agua condensada. El agua condensada puede conllevar daños por corrosión.
- Peligro de daños por humedad que penetre en el sistema eléctrico. Nunca limpie los elementos de operación con trapos mojados.
- Daño en la superficie por limpieza inadecuada. Limpie las superficies de acero inoxidable solamente en dirección del tallado original. No utilice limpiador para acero inoxidable para elementos de servicio.
- Daño en la superficie por productos de limpieza agresivos o por frotación. Nunca use productos de limpieza agresivos o por frotación.
- Peligro de daños por recirculación del vapor condensado. Instalar el canal de salida de aire del aparato ligeramente inclinado hacia abajo (1° de desnivel).

Protección del medio ambiente

Su nuevo aparato presenta una gran eficiencia energética. Aquí se ofrecen consejos sobre cómo manejar el aparato ahorrando más energía y cómo desecharlo correctamente.

Ahorro de energía

- Encender la ventilación, si es necesario. En caso de querer calentar brevemente, sin mucha potencia, se puede desconectar la ventilación.
- Seleccionar un nivel de ventilación que sea adecuado a las circunstancias.
- Volver a apagar la ventilación tras cocinar.
- Limpiar regularmente el filtro antigrasa que incrementa la eficacia de la ventilación.
- Apagar la iluminación del aparato en caso de no utilizarla.

Evacuación ecológica

Saque el equipo de su empaque y elimine éste de forma ecológica.

Modos de funcionamiento

Este equipo se puede utilizar en funcionamiento con extracción de aire o con funcionamiento de circulación de aire.

Funcionamiento con extracción de aire



El aire aspirado se limpia con los filtros de grasa y se canaliza hacia el aire libre a través de un sistema de tubos.

Nota: La emisión de los gases no se debe canalizar hacia una chimenea de humo o de gases de escape que esté en funcionamiento, ni hacia un tiro que sirva para sacar el aire de las habitaciones donde haya equipos con fuego.

- Si los gases de escape se van a canalizar hacia una chimenea de humo o de gases de escape que no esté en funcionamiento, se tiene que conseguir la aprobación del especialista en chimeneas correspondiente.
- Si las emisiones de gases se canalizan a través del muro externo, se tiene que utilizar una caja telescópica para muros.

Circulación del aire



El aire aspirado se limpia con un filtro de grasas y un filtro de carbón activado, y se vuelve a canalizar hacia la cocina.

Nota: Para controlar los olores en el aire en circulación se tiene que instalar un filtro de carbón activado. Las diferentes posibilidades de operar el equipo con circulación de aire las puede consultar de la información del folleto, o consultando a su distribuidor autorizado. Los accesorios necesarios para ello los puede conseguir en el comercio especializado, en el departamento de servicio al cliente, o en la tienda en línea.

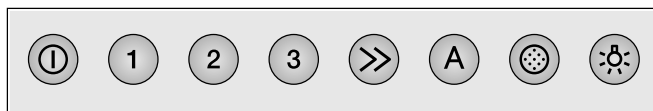
Operar el equipo

Nota: Encender la campana extractora al empezar a cocinar y apagarla unos minutos después de haber finalizado con las tareas de cocción. De esta manera se neutralizarán con gran efectividad los vapores que se desprenden al cocinar.

Nota: La campana extractora se puede manejar con los dos paneles de mando.

Operar el equipo

Tablero de control



Explicación

①	Ventilador encendido/apagado
1	Nivel de ventilador 1
2	Nivel de ventilador 2
3	Nivel de ventilador 3
>>	Nivel intensivo
A	Funcionamiento automático
⦿	Indicador de saturación
💡	Luz encendida/apagada/atenuación

Ajustar el ventilador

Nota: Ajustar siempre la potencia del ventilador a las condiciones actuales. Si se forma mucho vapor, seleccionar también una potencia de ventilación alta.

Conexión

- 1 Oprimir la tecla ①.
El ventilador se pone en marcha en el nivel 2.
- 2 Oprimir las teclas 1, 2, 3 o >> para ajustar el nivel de ventilador correspondiente.

Desconexión

Oprimir la tecla ①.

Nivel intensivo

En caso de fuertes olores y vapores, utilizar el nivel intensivo.

Conexión

- 1 Oprimir la tecla ①.
El ventilador se pone en marcha en el nivel 2.
- 2 Oprimir la tecla >>.
El nivel intensivo está activado.

Nota: La duración del nivel intensivo es de 6 minutos. Una vez transcurrido este tiempo, el aparato vuelve al nivel de ventilador ajustado anteriormente.

Desconexión

Oprimir la tecla ① o la tecla de otro nivel de ventilador.

Se finaliza el nivel intensivo.

Funcionamiento automático

Conexión

- 1 Oprimir la tecla ①.
El ventilador se pone en marcha en el nivel 2.
- 2 Oprimir la tecla A.
El nivel de ventilador óptimo 1, 2 o 3 se ajusta automáticamente mediante un sensor.

Desconexión

Pulsar la tecla A o ①.

El modo automático está desconectado.

El ventilador se apaga automáticamente cuando la calidad del aire en el ambiente baja de un nivel determinado. El tiempo de funcionamiento del modo automático es de 4 horas como máximo.

Control del sensor

Durante el funcionamiento automático, un sensor situado en la campana extractora detecta la intensidad de los olores de cocción y asado. En función del ajuste del sensor, el ventilador conmuta automáticamente a otro nivel de ventilación.

Ajuste de fábrica de la sensibilidad: 2

Ajuste mínimo de la sensibilidad: 1

Ajuste máximo de la sensibilidad: 4

Modificar el ajuste de la sensibilidad del sensor

Si el control del sensor reacciona demasiado rápido o demasiado lento, modificar el ajuste de la sensibilidad.

- 1 Con el ventilador apagado, mantener pulsada la tecla A durante unos 4 segundos.
Se muestra el ajuste.
- 2 Pulsar la tecla 1, 2, 3 o >> para modificar el ajuste de la sensibilidad.

Tecla 1 = sensibilidad 1
Tecla 2 = sensibilidad 2
Tecla 3 = sensibilidad 3
Tecla >> = sensibilidad 4
- 3 Mantener pulsada la tecla A durante aprox. 4 segundos.
Se guarda el cambio.

Indicador de saturación

Cuando los filtros metálicos antigrasa se saturan, parpadea la tecla ☉.

En ese momento se deben limpiar los filtros metálicos antigrasa.

En el capítulo **Limpieza y mantenimiento** se explica cómo limpiar los filtros metálicos antigrasa.

Restablecer el indicador de saturación

Oprimir la tecla ☉.

Iluminación

La iluminación se puede encender y apagar de forma independiente de la ventilación.

Conexión/Desconexión del aparato

Oprimir la tecla ☼.

Ajustar el brillo

Mantener oprimida la tecla ☼ hasta conseguir el brillo deseado.

Desconexión de seguridad

Para la protección del usuario, el aparato está equipado con una desconexión de seguridad. La iluminación se apagará transcurridas 12 horas y el ventilador, tras 4 horas; si durante este tiempo no se han utilizado.

Limpieza y mantenimiento

ADVERTENCIA

Peligro de quemaduras

El aparato se calienta cuando está en marcha. Antes de limpiar el aparato, dejar que se enfríe.

ADVERTENCIA

Peligro de descarga eléctrica

Si penetra humedad puede causar una descarga eléctrica. Limpiar el aparato solo con un paño húmedo. Antes de la limpieza hay que desconectar el enchufe o los fusibles de la caja de fusibles.

ADVERTENCIA

Peligro de descarga eléctrica

La humedad penetrante puede causar una descarga eléctrica. No use una hidrolavadora ni un limpiador por vapor.

ADVERTENCIA

Peligro de lesiones

Los componentes dentro del equipo pueden tener bordes filosos. Utilice guantes protectores.

Productos de limpieza

A fin de no dañar las distintas superficies con productos de limpieza inapropiados, consultar las indicaciones de la tabla. No usar en ningún caso:

- productos de limpieza abrasivos o corrosivos,
- productos de limpieza con un alto contenido de alcohol;
- estropajos o esponjas de fibra dura;
- limpiadores de alta presión o por chorro de vapor.

Lavar a fondo los paños de cocina nuevos antes de usarlos.

Tener en cuenta todas las instrucciones y avisos que incluyen los productos de limpieza.

Zona	Productos de limpieza
Acero inoxidable	Agua caliente con jabón: Limpiar con un trapo y secar con un paño suave. Limpiar las superficies de acero inoxidable siempre en la dirección del pulido. Se pueden adquirir productos de limpieza de acero especiales en el Servicio de Asistencia Técnica o en comercios especializados. Aplicar una capa muy fina del producto de limpieza con un paño suave.
Aluminio y plástico	Limpiacristales: Limpiar con un paño suave.
Vidrio	Limpiacristales: Limpiar con un paño suave. No utilizar rascadores para cristal.
Elementos de control	Agua caliente con jabón: Limpiar con un trapo húmedo y secar con un paño suave. Peligro de daños por humedad en el interior del sistema electrónico. No limpiar nunca los elementos de control con un paño húmedo. No usar limpiadores para acero inoxidable.

Quitagrasas (n.º art. 00311297)

Quitagrasas muy potente para la eliminación de los restos de grasa incrustada en la campana extractora de humos. Ideal para el pretratamiento de los filtros de metal antigrasa.

Toallitas limpiadoras para superficies de acero fino (n.º art. 00311134)

Para el cuidado de superficies de acero inoxidable. Impregnadas con aceite especial, impiden la acumulación de suciedad y las huellas dactilares.

Desmontar el filtro de metal antigrasa

⚠ ADVERTENCIA

Riesgo de lesiones

Los filtros de metal antigrasa y las piezas internas del aparato pueden tener bordes afilados. Utilizar guantes protectores.

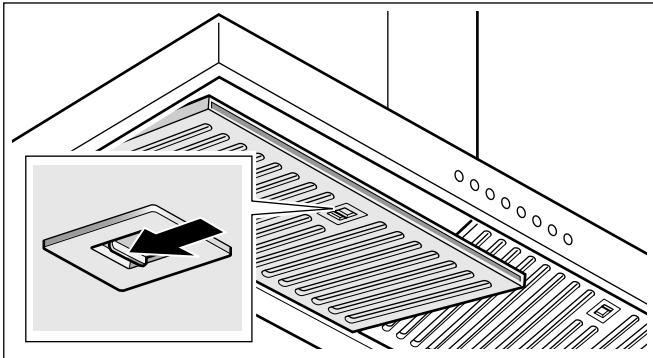
⚠ ADVERTENCIA

Riesgo de lesiones

Los filtros de metal antigrasa pesan mucho. Desmontar los filtros de metal antigrasa con cuidado y procurar que no se caigan al extraerlos.

El filtro de metal antigrasa consta de tres componentes. Para facilitar la limpieza se pueden separar los filtros de metal antigrasa.

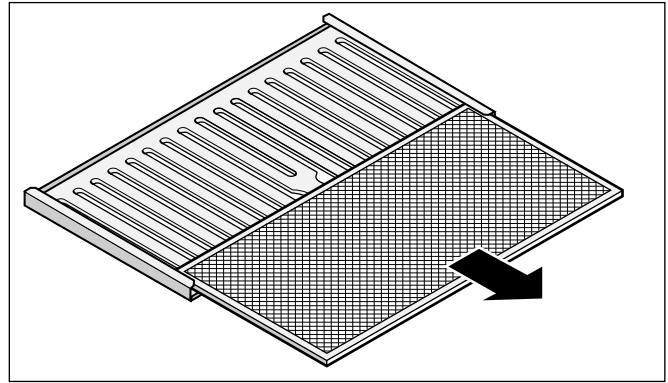
- 1 Abrir el bloqueo y plegar hacia abajo el filtro de metal antigrasa. Por razones de seguridad, el filtro de metal antigrasa está encajado por el borde trasero.



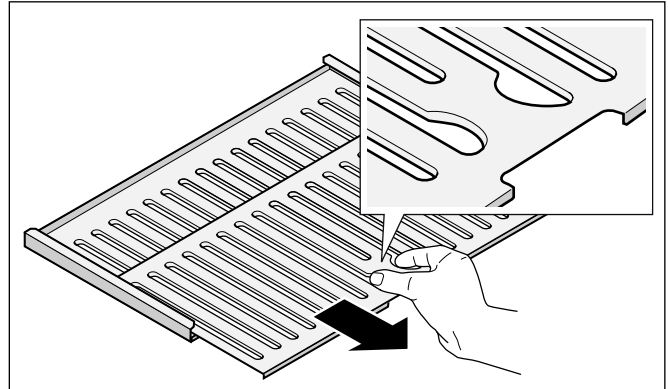
- 2 Elevar levemente el filtro de metal antigrasa por el borde delantero hasta extraerlo de su soporte.

Nota: La grasa puede acumularse en la parte inferior del filtro de metal antigrasa. Sujetar el filtro de metal antigrasa en posición horizontal para evitar que gotee grasa.

- 3 Extraer el filtro de tejido metálico.



- 4 Separar ambas piezas del filtro con ayuda de las escotaduras de agarre.



- 5 Limpiar el filtro de metal antigrasa.
- 6 Limpiar el aparato desde dentro.

Limpiar los filtros metálicos para grasa

⚠ ADVERTENCIA

Peligro de incendio

Los depósitos de grasa en el filtro de grasa se pueden incendiar.

Limpe el filtro de grasa por lo menos cada dos meses.

Nunca haga funcionar el equipo sin filtro de grasa.

Notas

- No use productos de limpieza agresivos, o que contengan ácidos o lejía.
- Al limpiar los filtros metálicos para grasa, limpie también el soporte de los filtros en el equipo con un trapo húmedo.
- Los filtros metálicos los puede lavar en la máquina lavavajillas o a mano.

En el lavavajillas:

Nota: La limpieza en el lavavajillas podría conllevar ligeras decoloraciones. Esto no afecta al funcionamiento normal de los filtros de metal antigrasa.

- No lavar los filtros de metal antigrasa junto con el resto de la vajilla si están muy sucios.
- Eliminar primero a mano la suciedad más incrustada.
- Colocar debidamente los filtros de metal antigrasa en el lavavajillas. Los filtros de metal antigrasa no deben quedar aprisionados.

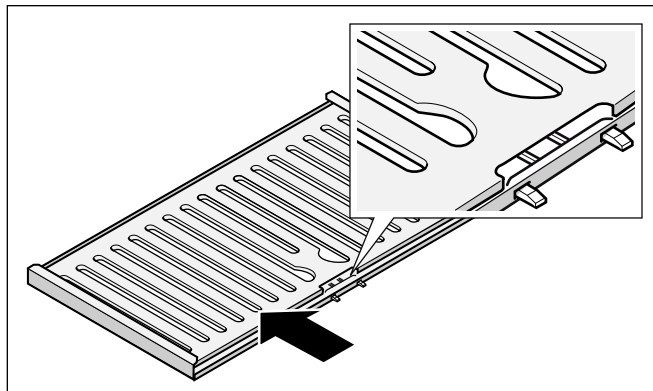
A mano:

- Remojar los filtros de metal antigrasa en agua caliente con jabón.
- Utilizar un cepillo para la limpieza y a continuación enjuagar bien los filtros.
- Dejar escurrir los filtros de metal antigrasa.

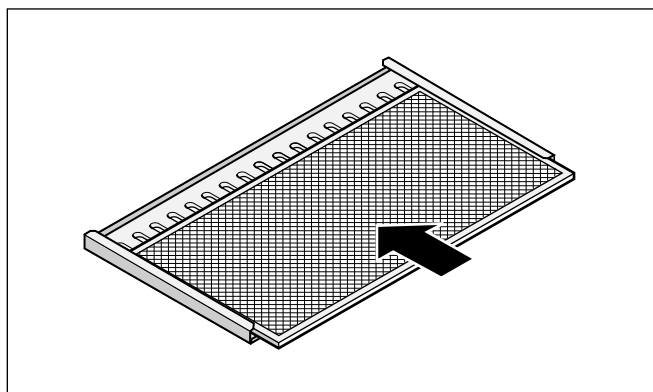
Nota: En caso de suciedad fuertemente incrustada se puede utilizar un disolvente de grasa. Se puede solicitar a través de la tienda en línea (n.º art. 00311297). Rociar disolvente antigrasa sobre los filtros de metal antigrasa sucios y dejar actuar durante 5 min. A continuación, enjuagar con abundante agua. Tener en cuenta las indicaciones de uso del limpiador.

Montar el filtro de metal antigrasa

- 1 Deslizar y unir ambas piezas del filtro. Asegurarse de que la colocación sea correcta, con la abertura en el borde.




- 2 Insertar el filtro de tejido metálico hasta el tope.



- 3 Colocar el filtro de metal antigrasa en la parte inferior del aparato con el bloqueo hacia delante y enclavar el bloqueo.

Nota: Al colocarlo, asegurarse de que el bloqueo quede bien enclavado. De lo contrario, el filtro de metal antigrasa podría caerse y dañar la placa de cocción.

- 4 Oprimir la tecla . Se ha restablecido el indicador de saturación.

Reemplazar el filtro de carbono activo (solo en funcionamiento con recirculación de aire)

⚠ ADVERTENCIA

Riesgo de lesiones

Riesgo de sufrir caídas al cambiar el filtro.
Utilizar una escalera plegable que sea segura.

Para garantizar la filtración de olores, cambiar regularmente el filtro de carbono activo.

Si se usa poco u ocasionalmente, reemplazar el filtro de carbono activo cada 18 meses, a más tardar, o cuando se presenten olores en el aire de salida.

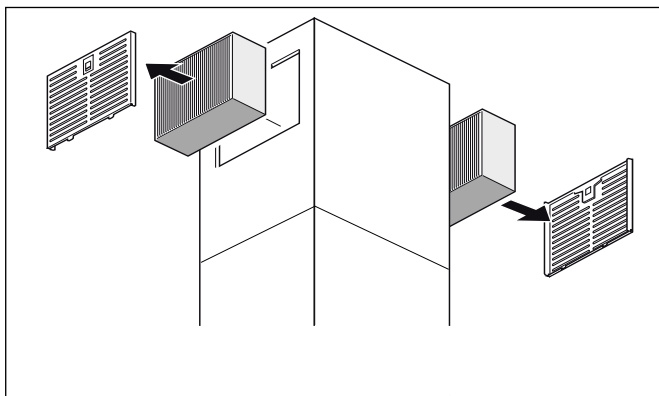
Si se usa mucho o diariamente, reemplazar el filtro de carbono activo cada 12 meses, a más tardar, o cuando se presenten olores en el aire de salida.

Notas

- Los filtros de carbono activo están incluidos en la entrega del juego de recirculación de aire AA 442 810. Los filtros de carbono activo adicionales se pueden conseguir en comercios especializados, con el servicio de atención al cliente o en la tienda online con el número de orden AA 442 110 (el empaque contiene 2 filtros).
- Sustituir siempre el filtro de carbón activo.
- Los filtros de carbón activo no deben limpiarse ni reactivarse.
- Los filtros de carbono activo usados se pueden desechar en la basura doméstica.

Así se procede

- 1 Abrir los dispositivos de bloqueo en ambas rejillas protectoras y quitarlas.
- 2 Retirar los filtros de carbón activo viejos.



- 3 Introducir los filtros de carbón activo nuevos.
- 4 Colocar las rejillas protectoras.

¿Qué hacer en caso de fallas?

Muchas veces podrá solucionar fácilmente usted mismo los fallos que aparezcan. Antes de llamar al servicio técnico, tome en cuenta las siguientes indicaciones.

ADVERTENCIA

Peligro de descarga eléctrica

Las reparaciones no profesionales son peligrosas. Solamente un técnico de servicio al cliente entrenado por nosotros puede realizar las reparaciones y cambiar las conexiones dañadas. Si el equipo presenta defectos, saque el enchufe o desconecte el fusible de la caja de fusibles. Comuníquese con el servicio al cliente.

ADVERTENCIA


Riesgo de lesiones

La luz de las luces LED es muy deslumbrante y puede dañar los ojos (grupo de riesgo 1). No mirar más de 100 segundos directamente a las luces LED encendidas.

Luces LED

La sustitución de las luces LED debe encomendarse siempre al fabricante, al Servicio de asistencia técnica o a profesionales autorizados (instaladores electricistas).

Tabla de averías

Falla	Posible causa	Solución
El aparato no funciona	El enchufe no está conectado a la red	Enchufar el aparato a la red eléctrica
	Corte en el suministro eléctrico	Comprobar si los demás electrodomésticos de cocina funcionan
	El fusible está dañado	Comprobar en la caja de fusibles si el fusible del aparato funciona correctamente
El aparato no funciona, todas las teclas parpadean	El enchufe del cable de red no está conectado a la red	Comprobar conexión de cables de red para todos los aparatos
	El fusible está dañado	Comprobar en la caja de fusibles si los fusibles de todos los aparatos funcionan correctamente
	Un componente del aparato no funciona	Avisar al Servicio de Atención al Cliente
El aparato no funciona	Hace más de 4 horas que el aparato está funcionando, se activó la desconexión de seguridad	Volver a conectar el aparato.
La iluminación de las teclas no funciona	La unidad de control está estropeada	Avisar al Servicio de Atención al Cliente
La iluminación no funciona	La iluminación está defectuosa	Avisar al Servicio de Atención al Cliente
La tecla  parpadea	El filtro de metal está saturado	Limpiar el filtro, ver el capítulo <i>Limpieza y mantenimiento</i>

Servicio de atención al cliente


Si su aparato necesita una reparación, nuestro servicio de atención al cliente estará encantado de ayudarle. Siempre encontramos la solución adecuada, incluso para evitar visitas innecesarias de los técnicos.

Cuando llame por teléfono, indique la referencia del producto (Nº E) y el número de fabricación (Nº FD) para que podamos ofrecerle un servicio cualificado. La placa de características con la numeración se encuentra en el interior del aparato (desmontar el filtro de metal antigrasa).

Para evitar tener que buscar los datos de su aparato cuando los precise, es aconsejable anotarlos aquí conjuntamente con el número de teléfono del Servicio de atención al cliente.

Nº E.

Nº FD.

Servicio de atención al cliente 

Tenga en cuenta que la visita del técnico del servicio de atención al cliente no es gratuito en caso de que el mal funcionamiento sea debido a un manejo incorrecto del aparato.

Las señas de las delegaciones internacionales figuran en la lista adjunta de centros y delegaciones del Servicio de Asistencia Técnica Oficial.

Solicitud de reparación y asesoramiento en caso de averías

US 877 442 4436
toll-free

Confíe en la competencia del fabricante. De esa forma se asegura de que la reparación se lleva a cabo por personal técnico debidamente instruido, equipado con las piezas originales y de repuesto necesarias para su aparato.

Gaggenau

BSH Home Appliance Corporation
1901 Main Street, Suite 600
Irvine, CA 92614
+1.877.442.4436
USA
www.gaggenau-usa.com

Gaggenau Hausgeräte GmbH

Carl-Wery-Straße 34
81739 München
GERMANY

GAGGENAU



9000974507 en-us, es-mx, fr-ca (950414)