



AW 230 790

Stainless steel
Width 36" (90 cm)

Air extraction/recirculation
Standard duct cover included

Installation accessories

AD 200 322

Stainless steel duct cover extension,
Length: 3' 3 3/8" (1000 mm).

AD 200 392

Stainless steel ceiling collar,
covers screws on duct cover and
uneven gaps of ceilings that are not
completely flat.

Optional accessories

AA 200 812

Recirculation kit with activated charcoal
filter installed on the inside of
the duct cover.

AA 200 110

Activated charcoal filter for AA200812
recirculation kit.

200 series wall hood

AW 230

- Classic Gaggenau design
- Highly efficient extraction of cooking vapors
- Low-noise blower
- Patented filter technology with high level of grease absorption
- Rim extraction filter with flat and easy-to-clean stainless steel surface
- Dimmable LED light for optimum illumination of the entire cooktop
- Air extraction or recirculation system
- Recirculation kit with activated charcoal filters: quiet and highly efficient recirculation solution with odor reduction as in air extraction mode, and long replacement intervals

Output

Unobstructed air flow:
472 CFM with \varnothing 6".

Sound pressure level: 54 dBA.
Odor reduction recirculation 95%.

Features

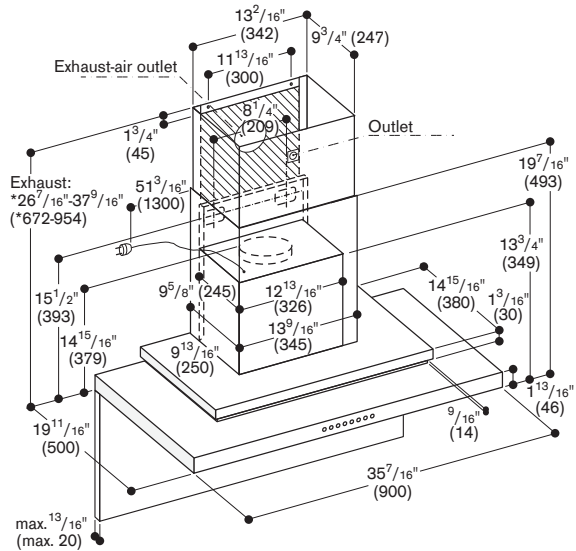
Three electronically controlled power levels and an intensive mode.
Grease filter saturation indication by flashing light.
Patented rim extraction filter, dishwasher-safe.
Warm white LED light (3,600 K), continuously dimmable.
Airflow-optimized interior for efficient air circulation.
Easy mounting system for simple installation and alignment.
A one-way flap comes included with the hood.

Planning notes

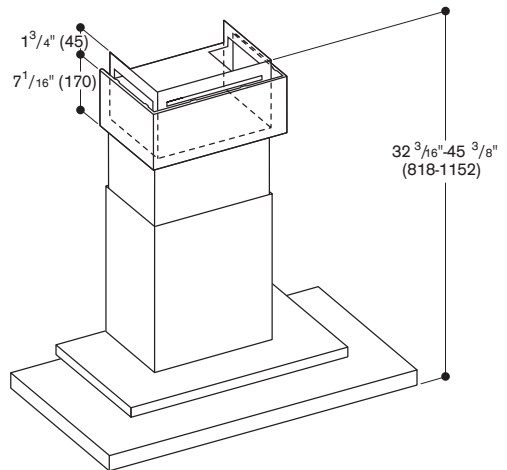
The hood includes a two-part duct cover with the dimensions from 22 19/16" (582 mm) to 34" (864 mm). Individual planning solutions can be accommodated using the optional duct cover accessory AD200322 or by shortening the lower edge of the telescopic duct cover.
Minimum clearance from electric appliances: 28". Minimum clearance from gas appliances: 30".
The recirculation kit with activated charcoal filter can be installed on the external duct cover or on the inside of the duct cover.

Rating

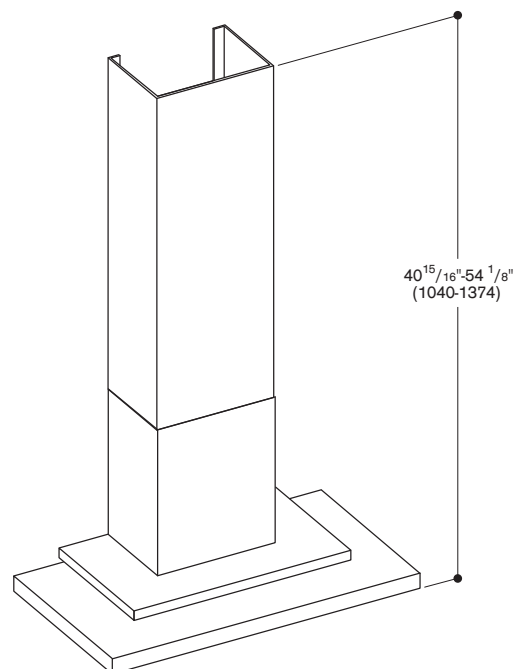
Total rating: 425 W.
Total Amps: 3 A.
120 V / 60 Hz
Connecting cable 51 9/16" with plug.



* Suitable for ceiling heights of 7.4 ft. (2.27 m) to 8.4 ft. (2.55 m);
Specifications refer to a distance from floor to lower chimney edge of 5.2 ft. (1.60 m).



* Suitable for ceiling heights of 8 ft. (2.45 m) to 9 ft. (2.75 m);
Specifications refer to a distance from floor to lower chimney edge of 5.2 ft. (1.60 m).



* Suitable for ceiling heights of 8.7 ft. (2.64 m) to 9.7 ft. (2.97 m);
Specifications refer to a distance from floor to lower chimney edge of 5.2 ft. (1.60 m).

Numbers indicated
inside parenthesis () = mm