



AR 413 722

Recirculation blower
500 CFM

Air recirculation

For installation in 4" toe-kick.

For air recirculation operation, model number SET1AR4102 must be ordered.

Required installation accessories

SET1AR4102

For recirculation operation order model number SET1AR4102 to receive the following three required components:

- AR413722 recirculation blower
- AA413722 recirculation kit 2 filters
- AD413722 oval aluminum flex duct

Recirculation blower and recirculation kit must be combined via oval flex duct for recirculation operation.

For installation in 4" high toe-kick.

Installation accessories

AD 754 048

Transition box with two $\varnothing 6"$ round intakes to one $\varnothing 8"$ round outlet.

Used in installation with 2x VL 414 downdraft to connect 2x round ducts to AR413722 blower (see drawing on opposite page).

AD 704 048

Transition box with two $\varnothing 6"$ round intakes to one $\varnothing 8"$ round outlet.

Required for installation with AL 400 retractable downdraft to connect 2x round ducts to AR413722 blower (see drawing on opposite page).

AA 010 410

Air exhaust grill for air recirculation mode

Stainless steel-colored, 36", including installation fittings, height adjustable.

Optional accessories

AA 413 110

2 additional activated charcoal filter with high efficient odor reduction due to large surface. For use with AA413722 recirculation kit.

400 series recirculation blower

AR 413

- Powerful blower for combination with 400 series AL 400 retractable downdraft and VL 414 downdraft
- Quiet blower with high-efficiency BLDC technology
- Compact and space-saving due to installation in a 4-inch high toe-kick

Output

3 performance output levels and Intensive mode: Sound power and sound pressure depending on built-in situation.

Air recirculation: 500 CFM

Power levels depend on the ventilation system.

Features

3 electronically controlled power levels and one intensive mode.

Blower technology with highly efficient, brushless DC motor (BLDC). Metal housing.

Duct connection pieces on intake side: 1x $\varnothing 6"$ round.

Retaining bracket for ceiling installation or installation on the inner side of a cabinetry comes included with the blower.

Planning notes

This blower can only be combined with 400 series ventilation systems such as AL 400 retractable downdraft and VL 414 downdraft.

For recirculation operation, model number SET1AR4102 must be ordered. For SET1AR4102 three required components will be received:

- AR413722 recirculation blower
- AA413722 recirculation kit with 2 activated charcoal filters
- AD413722 oval aluminum flex duct

The AR413722 recirculation must be connected to AA413722 recirculation kit via AD413722 oval flex duct.

Connection to the respective appliances via network cable. Network cable is included with AR413722 recirculation blower.

Installation in a 4-inch high toe-kick with cut-out on the cabinet base to connect blower to the duct work of respective ventilation appliance. Installation with 2x VL 414 downdraft: to connect 2x VL 414 downdraft with AR413722 recirculation blower, transition box AD754048 can be used (see adjacent installation example 1) or a Y-connector (can be purchased at local hardware store).

Transition box AD704048 required to connect 2x ducts coming from AL 400 retractable downdraft with AR413722 recirculation blower (see adjacent installation example 2).

Odor reduction comparable to air extraction mode (95%).

Filter replacement interval of recirculation kit: 1 - 1 1/2 years depending on cooking frequency. Toe-kick must be accessible in order to replace filters.

Recommended minimum gap between filter openings and cabinet wall if there is no ventilation grill directly in front: 6".

Rating

Total rating: 170 W.

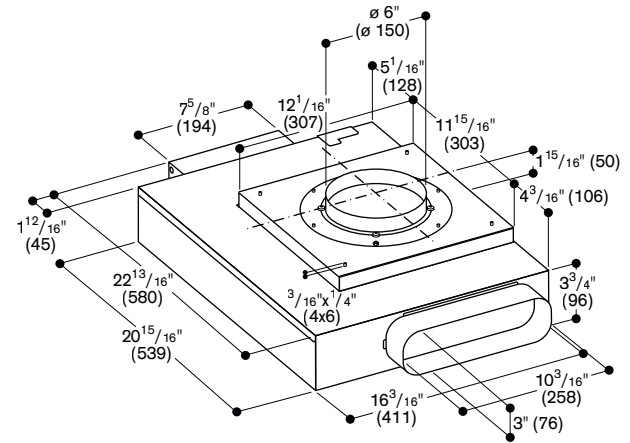
Total amps: 10 A.

120 V / 60 Hz.

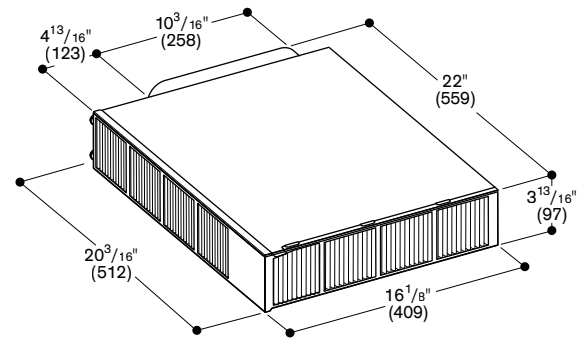
Connecting cable 69" with plug.

6.5' network cable included.

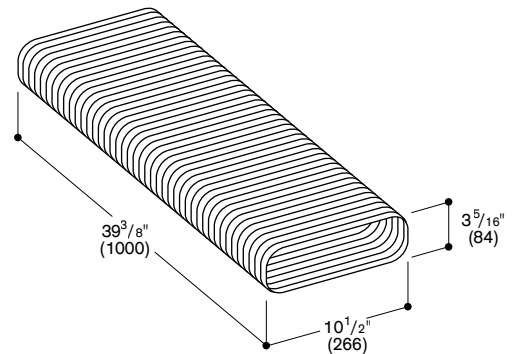
Recirculation blower AR 413 722



Recirculation kit AA 413 722

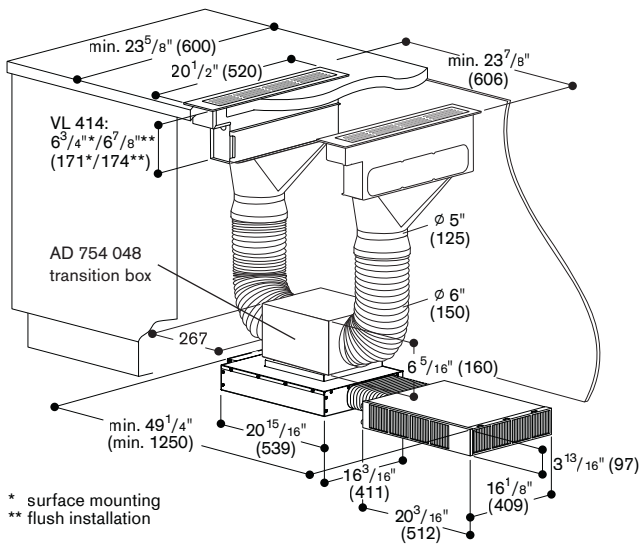


Aluminum flex duct AD 413 722



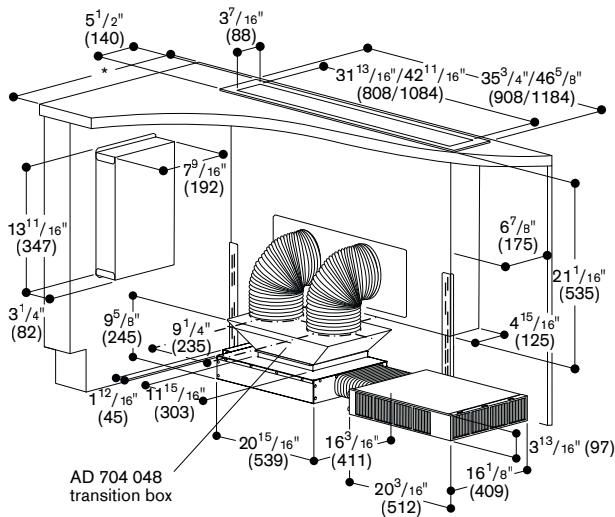
Installation example 1

2x VL 414 downdraft with AR 413 722 recirculation blower, AA 413 722 recirculation kit and AD 413 722 flex duct



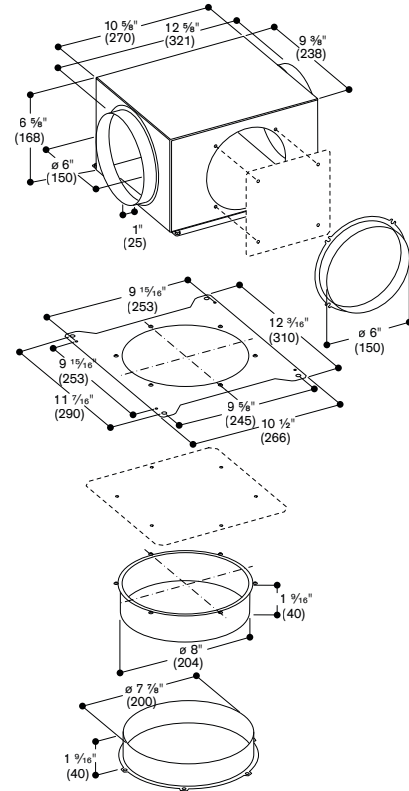
Installation example 2

1x AL 400 retractable downdraft with AR 413 722 recirculation blower, AA 413 722 recirculation kit and AD 413 722 flex duct

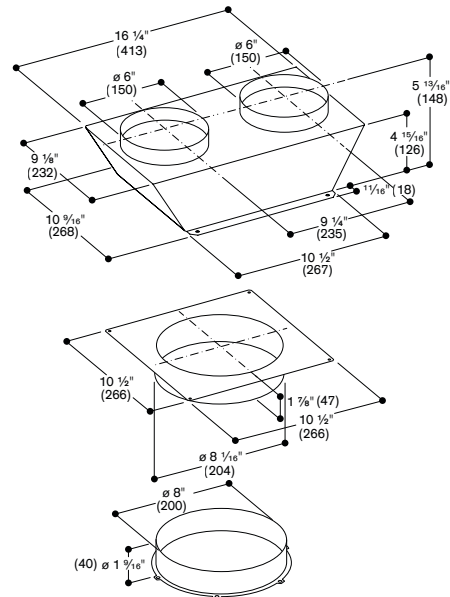


Installation accessories

Transition box AD 754 048 for use with 2x VL 414 downdraft



Transition box AD 704 048 for use with AL 400 retractable downdraft



Air exhaust grill AA 010 410

