



**AR 401 742**  
 Stainless steel  
 600 CFM  
 Outside wall installation  
 Air extraction

**Installation accessories**  
**AD 702 052**  
 ø 8" Telescopic wall-duct

**400 series remote blower**  
**AR 401**

- Powerful blower for combination with 400 series ventilation systems such as AL 400 retractable downdraft, VL 414 downdraft and AW/AI 442 professional wall/island hood
- Quiet blower with high-efficiency BLDC technology.

**Output**

3 performance output levels and Intensive mode: Sound power and sound pressure depending on built-in situation.  
 Air extraction: 600 CFM.  
 Power levels depend on the ventilation system.

**Features**

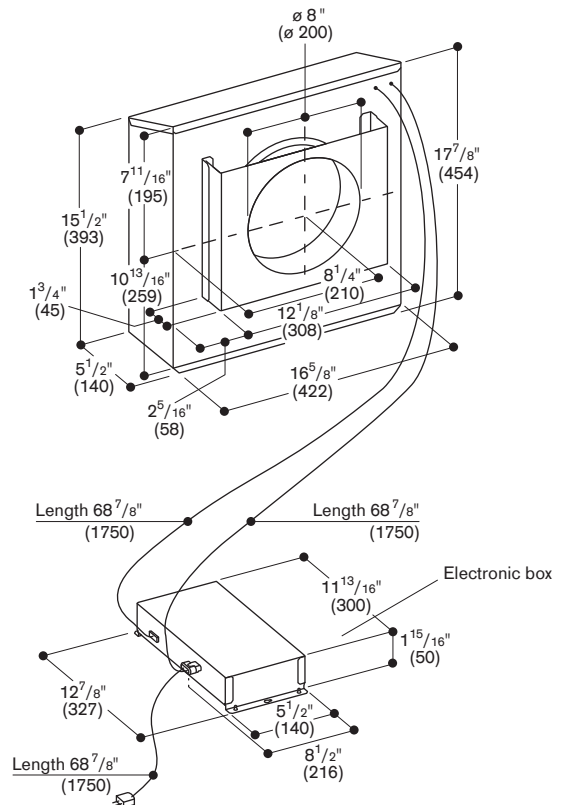
3 electronically controlled power levels and one intensive mode. Blower technology with highly efficient, brushless DC motor (BLDC). Including sound insulation to minimize the noise level. Stainless steel housing. Duct connection pieces on air intake side: 1x ø 8" round. Retaining bracket for installation on an outside wall comes included with the blower.

**Planning notes**

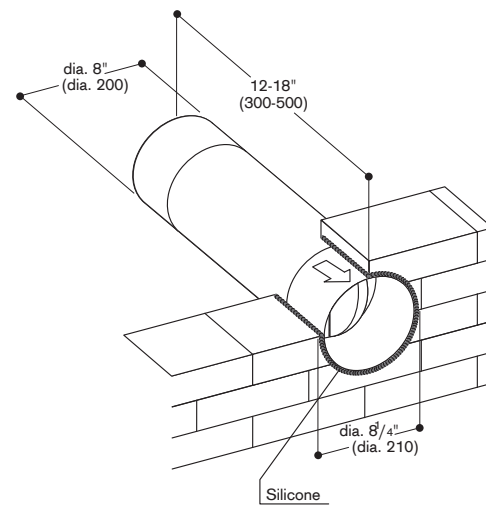
This blower can only be combined with 400 series ventilation systems such as AL 400 retractable downdraft, VL 414 downdraft and AW/AI 442 professional wall/island hood.  
 Connection to the respective appliances via network cable. Installation on the outside wall allows for a reduced noise level in the kitchen.  
 Although the blower is installed on an outside wall, the electronic box must be installed indoors.  
 Acceptable temperature range for installation of the electronic control box: -13 to 140 °F.  
 Distance from floor to the center of the duct: min. 23 5/8"

**Rating**

Total rating: 170 W.  
 Total Amps: 2 A.  
 120 V / 60 Hz  
 Connecting cable 69" with plug.  
 16' network cable included.



**Telescopic wall-duct AD 702 052**



Numbers indicated  
 inside parenthesis ( ) = mm