



**AR 401 740**  
 Stainless steel  
 665 CFM  
 Outside wall/roof installation  
 Air extraction

**Installation accessories**

**AD 702 052**  
 ø 8" Telescopic wall-duct  
**AA 401 920**  
 Roofplate for mounting blower on roof

**Optional accessories**

**AA 401 400**  
 Air outlet cover stainless steel  
**AA 401 610**  
 Silencer for air outlet of AR 401  
 Stainless steel  
 Not to be combined with air outlet cover AA401400

**Part# 489415**  
 Additional 16' extension cable.

**200 series remote blower**  
**AR 401**

- AR401740 for maximum output for use with 200 series VL 041/040 downdraft.
- Outside installation reduces noise level in the kitchen.
- To be combined with motorless hoods or downdrafts.

**Output**

665 CFM unobstructed air flow.  
 Noise level depends on the built-in situation.

**Features**

All-stainless steel housing.  
 Duct connections air intake:  
 (1) ø 8" round.

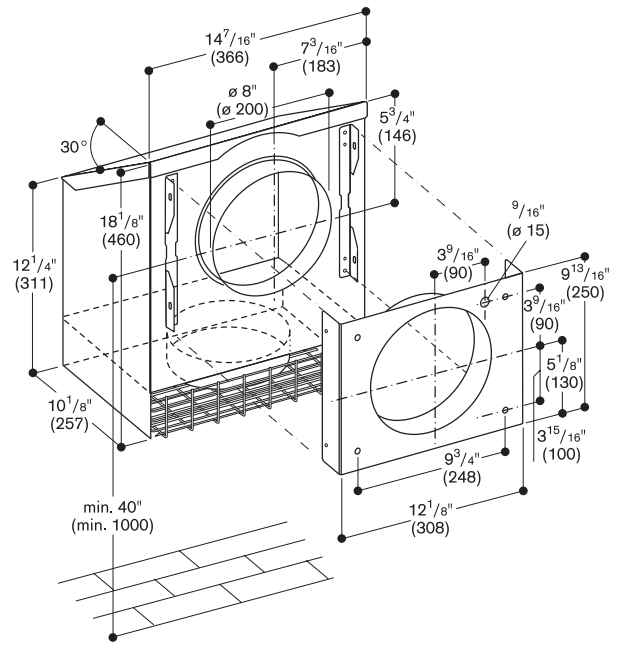
**Planning notes**

Remote blower for use with 200 series VL downdraft.  
 Up to two Vario 200 series VL downdraft units can be used with the AR 401 remote blower. For this installation a Y-adaptor is required and can be purchased at a local hardware store.  
 Roof installation with roof installation set AA401920 and telescopic wall duct AD702052 in slanted roofs with an angle of 10°.

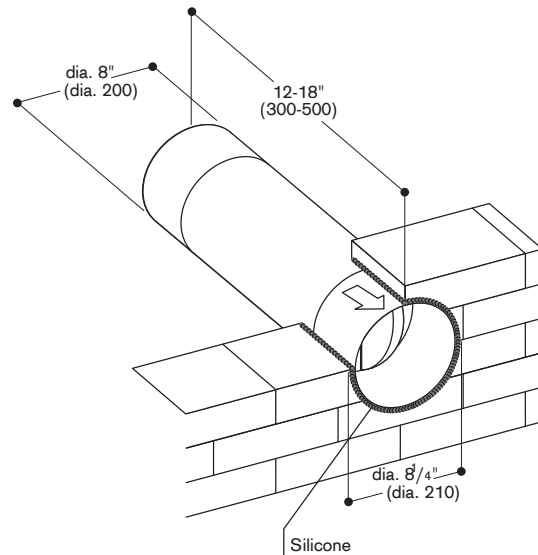
**Please note:** A second blower cannot be independently controlled if used with Vario 200 VL downdraft.

**Rating**

Total rating: 520 W.  
 Total Amps: 6 A.  
 120 V / 60 Hz  
 Plan for a 41<sup>5</sup>/<sub>16</sub>" connecting cable without plug.



**AD 702 052**



Numbers indicated  
 inside parenthesis ( ) = mm