



AR 401 740

Stainless steel
665 CFM
Outside wall/roof installation
Air extraction

Installation accessories

AD 702 052
ø 8" Telescopic wall-duct
AA 401 920
Roofplate for mounting blower on roof

Optional accessories

AA 401 400
Air outlet cover stainless steel
AA 401 610
Silencer for air outlet of AR 401
Stainless steel
Not to be combined with air outlet cover AA401400.
Part# 489415
Additional 16' extension cable

400 series remote blower

AR 401

- AR401740 for maximum output for use with 200 series VL 041/040 downdraft.
- Outside installation reduces noise level in the kitchen.
- To be combined with motorless hoods or downdrafts.

Output

665 CFM unobstructed air flow.
Noise level depends on the built-in situation.

Features

All-stainless steel housing.
Duct connections air intake:
(1) ø 8" round.

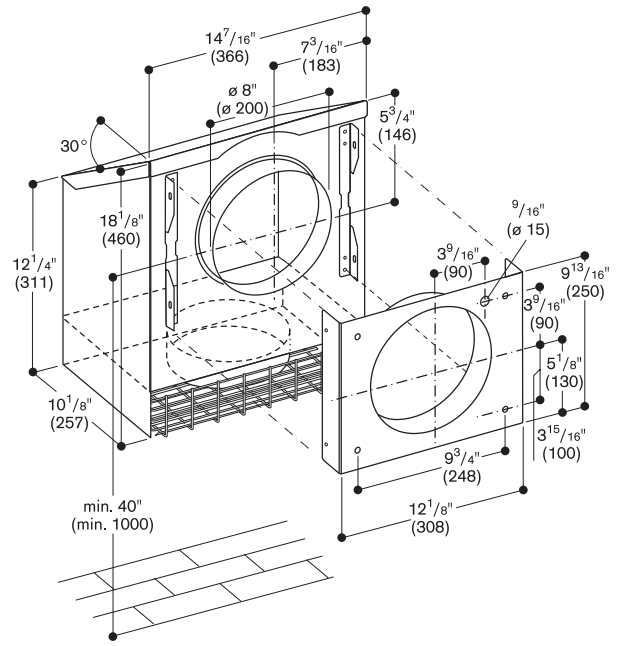
Planning notes

Remote blower for use with 200 series VL downdraft.
Up to two Vario 200 series VL downdraft units can be used with the AR 401 remote blower. For this installation a Y-adaptor is required and can be purchased at a local hardware store.
Roof installation with roof installation set AA401920 and telescopic wall duct AD702052 in slanted roofs with an angle of 10°.

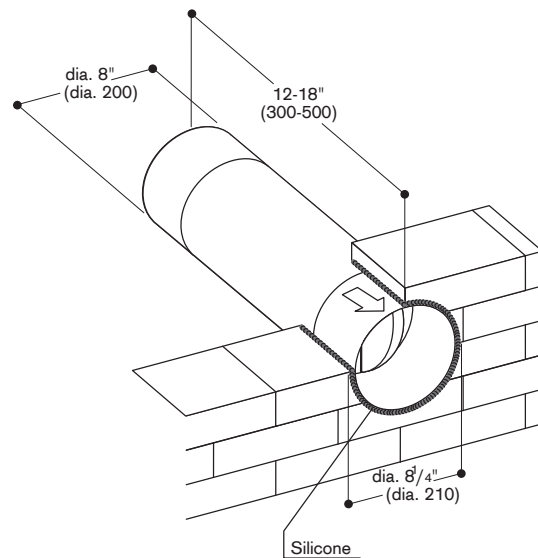
Please note: A second blower cannot be independently controlled if used with Vario 200 VL downdraft.

Rating

Total rating: 520 W.
Total Amps: 6 A.
120 V / 60 Hz
Plan for a 41⁵/₁₆" connecting cable without plug.



AD 702 052



Numbers indicated inside parenthesis () = mm