

AR 400 742  
Metal housing  
600 CFM  
Inside installation  
Air extraction

400 series inline blower  
AR 400

- Powerful blower for combination with 400 series ventilation systems such as AL 400 retractable downdraft, VL 414 downdraft and AW/AI 442 professional wall/island hood.
- Quiet blower with high-efficiency BLDC technology.

**Output**

3 performance output levels and intensive mode: Sound power and sound pressure depending on built-in situation.

Air extraction: 600 CFM.

Power levels depend on the ventilation system.

**Features**

3 electronically controlled power levels and one intensive mode. Blower technology with highly Metal housing, zinc-plated. Duct connection pieces on air intake side: 1x  $\varnothing$  6" round, 4x  $\varnothing$  6" round. Duct connection piece on air output side: 1x  $\varnothing$  6" round. Spare cover to close an air intake included with the blower. Retaining bracket for ceiling installation or installation on the inner side of a cabinetry comes included with the blower.

**Planning notes**

AR400742 inline blower can only be combined with 400 series ventilation systems such as AL 400 retractable downdraft, VL 414 downdraft and AW/AI 442 professional wall/island hood.

Connection to the respective appliances via network cable. Installation in the base cabinet: possible in areas with two cabinet drawers or on the floor with a cut-out in the base cabinet. Panel-free toe-kick possible.

Installation in a separate room, attic or crawl space allows for a reduced noise level in the kitchen.

**Rating**

Total rating: 210 W.

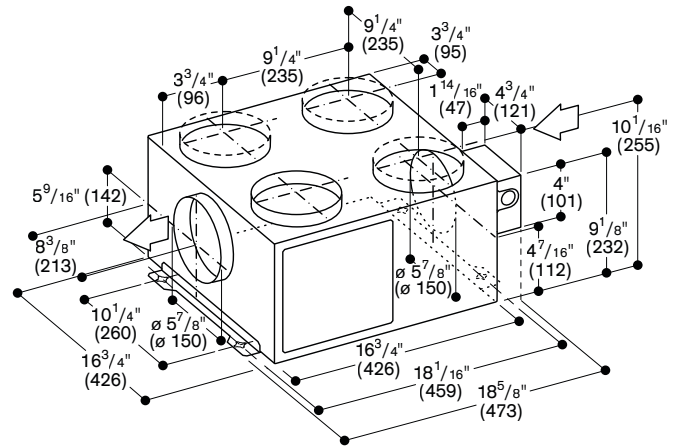
Total Amps: 2 A.

120 V / 60 Hz

Connecting cable not included. Hard wire required.

16' network cable included.

5x  $\varnothing$  6" ( $\varnothing$  150)  
2 connecting pieces included



Numbers indicated  
inside parenthesis ( ) = mm