



200 series inline blower
AR 400

- AR400741 for maximum output for use with 200 series VL 041/040 downdraft
- Installation in a separate room reduces noise level in the kitchen
- To be combined with blowerless hoods or downdrafts

AR 400 741
 Metal housing
 850 CFM
 Inside installation
 Air extraction

Installation accessories
Part# 448675 and 448676
 Brackets for ceiling installation, order one each.
 Part# 489415
 Additional 16' extension cable.

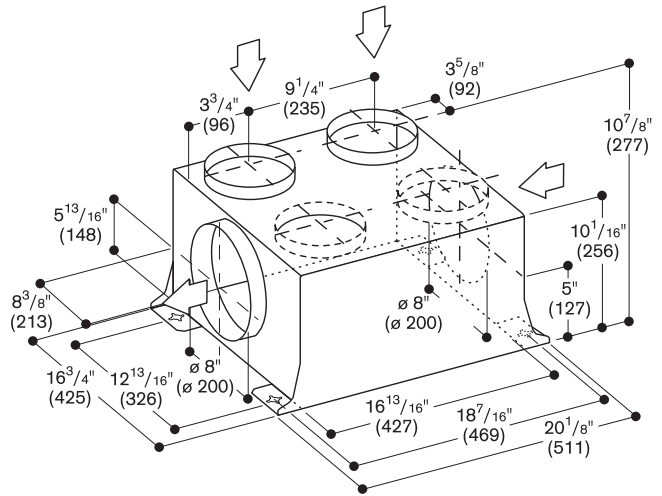
Output
 850 CFM unobstructed air flow.
 Noise level depends on the built-in situation.

Features
 Metal housing, zinc-plated.
 Duct connections air intake: (1) \varnothing 8" round, (4) \varnothing 6" round.
 Duct connection pressure side: (1) \varnothing 8" round.
 Spare cover for closing air intake.

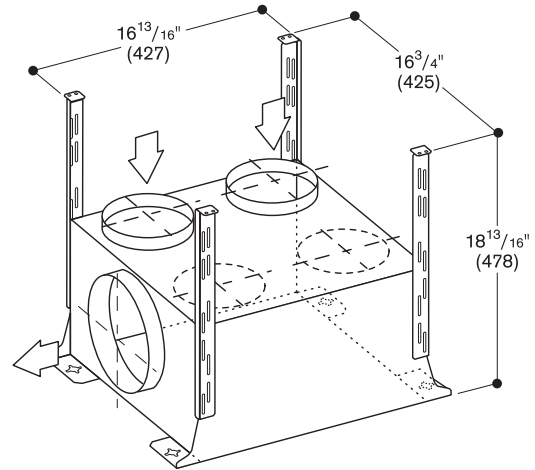
Planning notes
 Inline blower for use with 200 series VL downdraft.
 Installation in the drawer area with double height or on the floor with cut-out in the cabinet base. Air intake with duct max. (2) \varnothing 6" behind the drawers requires countertop depth of min. 27". Cabinets without toe-kick possible.

Rating
 Total rating: 730 W.
 Total Amps: 6 A.
 120 V / 60 Hz
 Plan for a 41 $\frac{5}{16}$ " connecting cable without plug.

4x \varnothing 6" (\varnothing 150)
 2 connecting pieces included



Ceiling installation set



Numbers indicated
 inside parenthesis () = mm