



200 series inline blower

AR 400

- AR400740 for maximum output for use with 200 series VL 041/040 downdraft
- Installation in a separate room reduces noise level in the kitchen
- To be combined with blowerless hoods or downdrafts

AR 400 740*

Metal housing
810 CFM
Inside installation
Air extraction

Installation accessories

Part# 448675 and 448676

Brackets for ceiling installation, order one each.

Part# 489415

Additional 16' extension cable.

*Model number AR400740 will change to AR400741 effective March 2016.

Output

810 CFM unobstructed air flow.
Noise level depends on the built-in situation.

Features

Metal housing, zinc-plated.
Duct connections air intake: (1) \varnothing 8" round, (4) \varnothing 6" round.
Duct connection pressure side: (1) \varnothing 8" round.
Spare cover for closing air intake.

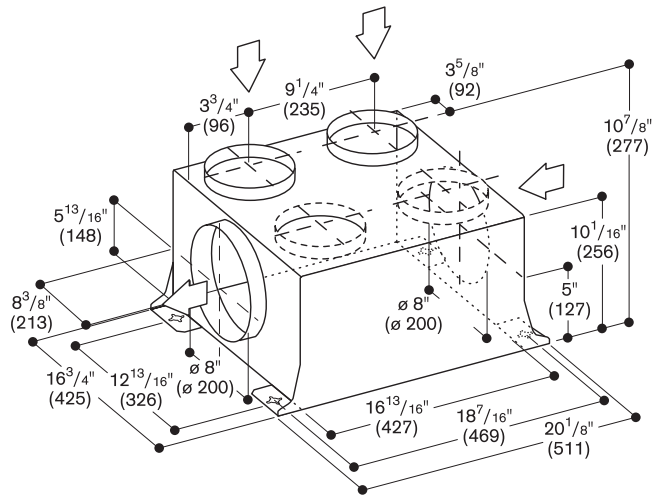
Planning notes

Inline blower for use with 200 series VL downdraft.
Installation in the drawer area with double height or on the floor with cut-out in the cabinet base. Air intake with duct max. (2) \varnothing 6" behind the drawers requires countertop depth of min. 27". Cabinets without toe-kick possible.

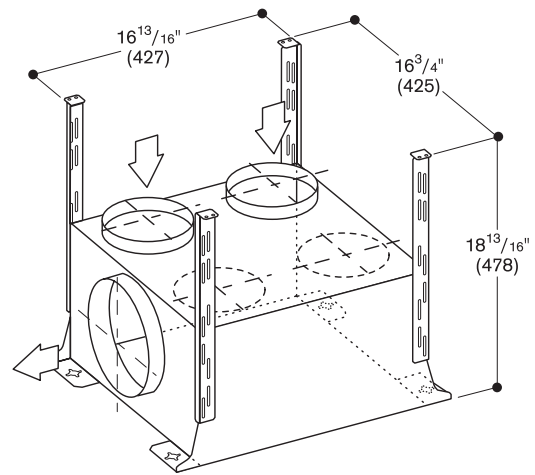
Rating

Total rating: 520 W.
Total Amps: 6 A.
120 V / 60 Hz
Plan for a 41⁵/₁₆" connecting cable without plug.

4x \varnothing 6" (\varnothing 150)
2 connecting pieces included



Ceiling installation set



Numbers indicated
inside parenthesis () = mm