



#### AI 442 720

Stainless steel  
Width 48" (120 cm)  
Air extraction/recirculation  
Without blower. (Choose from 400 series AR400743 internal, AR400742 inline or AR401742 remote blower.)  
Duct cover not included.

#### AI 442 760

Stainless steel  
Width 63" (160 cm)  
Air extraction/recirculation  
Without blower. (Choose from 400 series AR400743 internal, AR400742 inline or AR401742 remote blower.)  
Duct cover not included.

#### Installation accessories for exhaust air mode

##### AD 442 016

Stainless steel duct cover, length: 24 7/16", for 7' 9" - 8' 6" ceiling heights (2.35 - 2.60 m), installation tower included.

##### AD 442 026

Stainless steel duct cover, length: 33 7/8", for 8' 6" - 10' 2" ceiling heights (2.60 - 3.10 m), installation tower included.

#### Installation accessories for recirculation air mode

##### AD 442 116

Stainless steel duct cover, length 24 7/16", for 7' 9" - 8' 6" ceiling heights (2.35 - 2.60 m), installation tower included.

##### AD 442 126

Stainless steel duct cover, length: 33 7/8", for 8' 6" - 10' 2" ceiling heights (2.60 - 3.10 m), installation tower included.

##### AA 442 810

Recirculation kit including two activated charcoal filters with highly efficient odor reduction. For installation on the inner duct cover (see adjacent drawing).

#### Optional accessories

##### AA 442 110

2 activated charcoal filters with highly efficient odor reduction. For use with recirculation kit AA442810.

##### AD 442 396

Stainless steel ceiling collar, covers screws on duct cover and uneven gaps of ceilings that are not completely flat.

#### 400 series island hood

##### AI 442

- Professional technology hood combined with classic Gaggenau design
- Highly efficient extraction of cooking vapors due to a large vapor collection area
- Comes without blower, can be combined with Gaggenau's highly performing and highly efficient brushless DC (BLDC) blowers
- Angled baffle filter with high grease absorption level
- Automatic function, sensor-controlled power adjustment depending on the build-up of cooking vapors
- Dimmable, warm white LED lighting for ideal illumination of the cooking surface
- Air extraction or recirculation system
- Recirculation kit with activated charcoal filters: quiet and highly efficient recirculation solution with odor reduction as in air extraction mode, and long replacement intervals

#### Output

For CFM information, refer to the blower overview on pages 180-181.

#### Features

Three electronically controlled power levels and one intensive mode. Automatic function with sensor-controlled delayed shut-off function. Grease filter saturation indication through flashing light. Baffle filter, dishwasher-safe. Warm white surface LED light (3,500 K), continuously dimmable. Lamp output 4x LED light bars 10 W. Illuminance 1,390 lx. Easy mounting system for simple installation and alignment.

#### Planning notes

For recirculation, use internal blower AR400743.

To chose the correct blower for extraction, refer to the 400 series blower overview on pages 180-181.

The two-part duct cover must be ordered as a separate installation accessory.

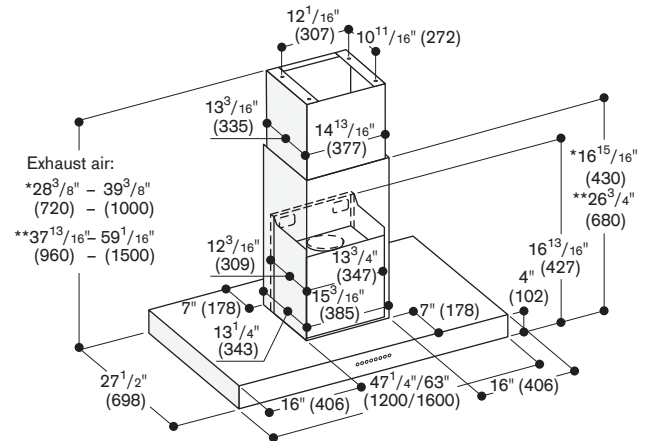
Connection to the respective blower via network cable.

Minimum clearance above gas cooktops 30".

Minimum clearance above electric cooktops 28".

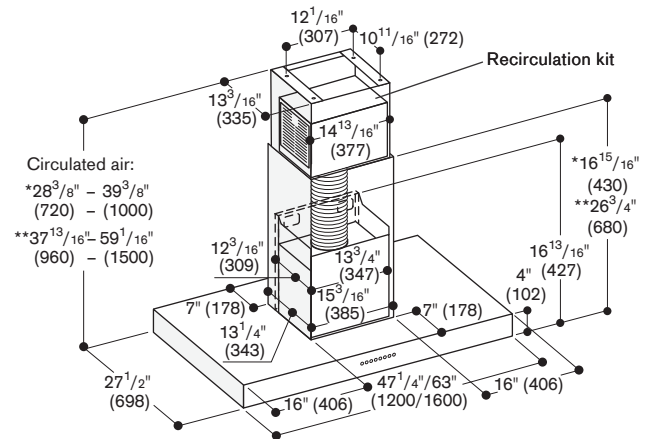
#### Rating

Total rating: 50 W.  
Total Amps: 10 (48") / 10 (63")  
120 V / 60 Hz  
Connecting cable 3' 5" with plug.



\* With the exhaust air duct cover AD 442 016 suitable for ceiling heights of 7.6 ft (2.35 m) to 8.6 ft (2.60 m).

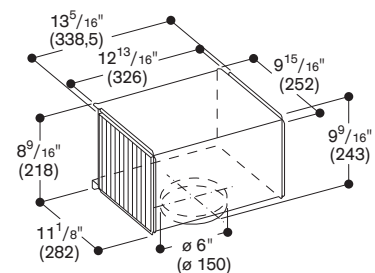
\*\*With the exhaust air duct cover AD 442 026 suitable for ceiling heights of 8.6 ft (2.60 m) to 10.2 ft (3.10 m); specifications refer to a distance from floor to lower extractor hood edge of 5.2 ft (1.60 m).



\* With the air recirculation duct cover AD 442 116 suitable for ceiling heights of 7.6 ft (2.35 m) to 8.6 ft (2.60 m).

\*\*With the air recirculation duct cover AD 442 126 suitable for ceiling heights of 8.6 ft (2.60 m) to 10.2 ft (3.10 m); specifications refer to a distance from floor to lower extractor hood edge of 5.2 ft (1.60 m).

#### Recirculation kit AA 442 810





**AW 442 720**

Stainless steel  
 Width 48" (120 cm)  
 Air extraction/recirculation  
 Without blower. (Choose from 400 series AR400743 internal, AR400742 inline or AR401742 remote blower.)  
 Duct cover not included.

**AW 442 760**

Stainless steel  
 Width 63" (160 cm)  
 Air extraction/recirculation  
 Without blower. (Choose from 400 series AR400743 internal, AR400742 inline or AR401742 remote blower.)  
 Duct cover not included.

**Installation accessories for exhaust air mode**

**AD 442 012**

Stainless steel duct cover, length: 24 7/16", for 7' 9" - 8' 6" ceiling heights (2.35 - 2.60 m).

**AD 442 022**

Stainless steel duct cover, length: 33 7/8", for 8' 6" - 10' 2" ceiling heights (2.60 - 3.10 m).

**Installation accessories for recirculation air mode**

**AD 442 112**

Stainless steel duct cover, length 24 7/16", for 7' 9" - 8' 6" ceiling heights (2.35 - 2.60 m).

**AD 442 122**

Stainless steel duct cover, length: 33 7/8", for 8' 6" - 10' 2" ceiling heights (2.60 - 3.10 m).

**AA 442 810**

Recirculation kit including two activated charcoal filters with highly efficient odor reduction. For installation on the inner duct cover (see adjacent drawing).

**Optional accessories**

**AA 442 110**

2 activated charcoal filter with highly efficient odor reduction. For use with recirculation kit AA442810.

**AD 442 392**

Stainless steel ceiling collar, covers screws on duct cover and uneven gaps of ceilings that are not completely flat.

**400 series wall hood**

**AW 442**

- Professional technology hood combined with classic Gaggenau design
- Highly efficient extraction of cooking vapors due to a large vapor collection area
- Comes without blower, can be combined with Gaggenau's highly performing and highly efficient brushless DC (BLDC) blowers
- Angled baffle filter with high grease absorption level
- Automatic function, sensor-controlled power adjustment depending on the build-up of cooking vapors
- Dimmable, warm white LED lighting for ideal illumination of the cooking surface
- Air extraction or recirculation system
- Recirculation kit with activated charcoal filters: quiet and highly efficient recirculation solution with odor reduction as in air extraction mode, and long replacement intervals.

**Output**

For CFM information, refer to the blower overview on pages 180-181.

**Features**

Three electronically controlled power levels and one intensive mode. Automatic function with sensor-controlled delayed shut-off function. Grease filter saturation indication through flashing light. Baffle filter, dishwasher-safe. Warm white surface LED light (3,500 K), continuously dimmable. Lamp output 3x LED light bars 10 W. Illuminance 1,110 lx (48") / 1,010 lx (63"). Easy mounting system for simple installation and alignment.

**Planning notes**

For recirculation, use internal blower AR400743.

To choose the correct blower for extraction, refer to the 400 series blower overview on pages 180-181.

The two-part duct cover must be ordered as a separate installation accessory.

Connection to the respective blower via network cable.

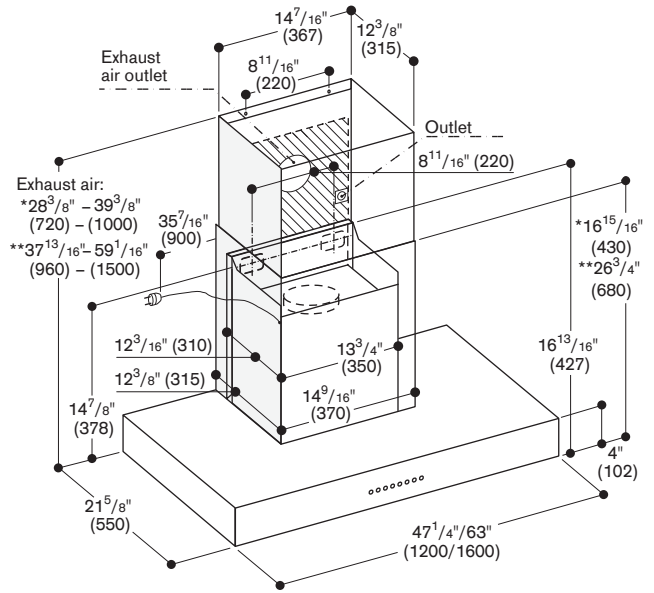
Minimum clearance above gas cooktops 30".

Minimum clearance above electric cooktops 28".

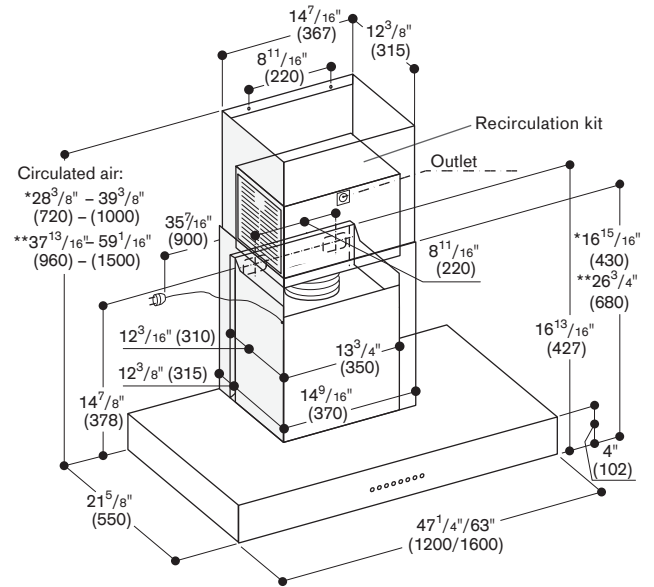
Air recirculation kit with 2 activated charcoal filters is installed in the inner duct cover. Special recirculation duct covers are available.

**Rating**

Total rating: 40 W (48") / 50 W (63").  
 Total Amps: 10 (48") / 15 (63")  
 120 V / 60 Hz  
 Connecting cable 3' 5" with plug.

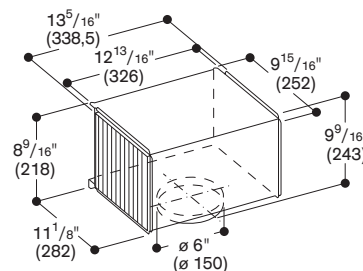


- \* With the exhaust air duct cover AD 442 012 suitable for ceiling heights of 7.6 ft (2.35 m) to 8.6 ft (2.60 m).
- \*\* With the exhaust air duct cover AD 442 022 suitable for ceiling heights of 8.6 ft (2.60 m) to 10.2 ft (3.10 m); specifications refer to a distance from floor to lower chimney edge of 5.2 ft (1.60 m).



- \* With the air recirculation duct cover AD 442 112 suitable for ceiling heights of 7.6 ft (2.35 m) to 8.6 ft (2.60 m).
- \*\* With the air recirculation duct cover AD 442 122 suitable for ceiling heights of 8.6 ft (2.60 m) to 10.2 ft (3.10 m); specifications refer to a distance from floor to lower chimney edge of 5.2 ft (1.60 m).

**Recirculation kit AA 442 810**



Numbers indicated inside parenthesis ( ) = mm